



Item No. \_\_\_\_\_

## COUNTERTOP PIZZA SHEETER BMPS001

### Features:

- Features flow through sheeting and heavy duty design with automatic out feed belt.
- 3 rollers -2 pass action front feed, will sheet up to 20 inches wide and are easy to clean with a lift back cover which gives easy access to non stick rollers.
- Also comes with power out feed belt for fast exit of smaller products.
- Back cover opens to provide easy access to non-stick rollers for clearing of dough and for easy cleaning.

### Other specifications:

- N.W. -385lbs
- Plug N' Go™ electrical for easy installation.



The BakeMax Countertop Pizza or Pie Sheeter features flow through sheeting and heavy duty design with automatic out feed belt. Easy access to non-stick rollers for clearing of dough and easy cleaning.



Think Quality, Value, Service.....Think

**BakeMax**

# COUNTERTOP PIZZA SHEETER BMPS001

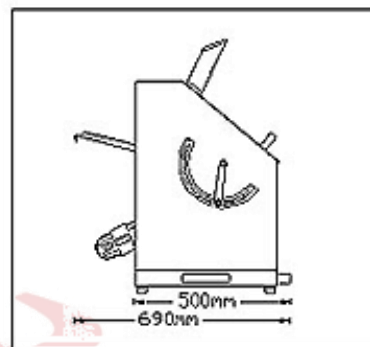
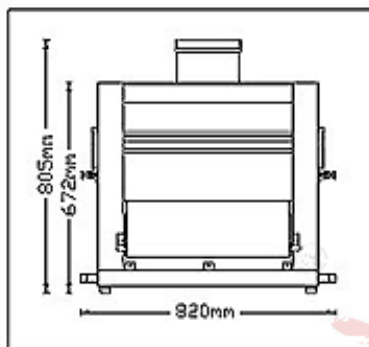
## Volume

External Dimensions (D x W x H)

Model	External
BMPS001	27.5" x 31" x 32" 69.85cm x 78.74cm x 81.28cm

## Capacity Information:

Model	Base Diameter	Base Thickness	Pieces per hour
BMPS001	Up to 20"	0 - 0.63"	600



## Electrical Information

Model	Voltage	Phase	Amps	Watts	Hertz	NEMA
BMPS001	115	1	10.4	1196	60	5-15P



Authorized Dealer:



[Pizzaovens.com](http://Pizzaovens.com)

1.877.FOR.OVEN  
367.6836

Since 1999

Think Quality, Value, Service.....Think

**BakeMax**<sup>®</sup>

Printed in Canada