



CS and ES STAINLESS STEEL EQUIPMENT STANDS



Pizzaovens.com

1.877.FOR.OVEN
367.6836

Since 1999



ES-2460

For Use with All Electric
Counter Top Ovens - 35 1/2" tall

Stationary Models

CS - 3030

Mobile Models

CS - 3030C

For Use with Griddles Counter Top Ranges,
Broilers & Stacked Ovens - 24" tall

Stationary Models

ES - 2430

ES - 3030

ES - 3630

ES - 4830

ES - 6030

ES - 7230

Mobile Models

ES - 2430C

ES - 3030C

ES - 3630C

ES - 4830C

ES - 6030C

ES - 7230C

SPECIFICATIONS

Stainless steel equipment stands with undershelf and adjustable feet or heavy duty casters.

Top is fabricated of 14 gauge type 304 stainless steel and features a 1" (25.4mm) lip on sides and rear and a raised marine front edge.

Adjustable undershelf is 18 gauge stainless steel with aluminum die cast leg clamps.

Legs are 1 5/8" diameter, 16 gauge tubular stainless steel with stainless steel gussets and 1" adjustable metal bullet feet or set of heavy duty casters, two with locks.

Stands are available in 24" (610mm) working height surfaces for griddles, counter top ranges, broilers and stacked equipment or with 35 1/2" (902mm) working height surfaces for counter top ovens.

Equipment stand ships "knocked down".

STANDARD FEATURES

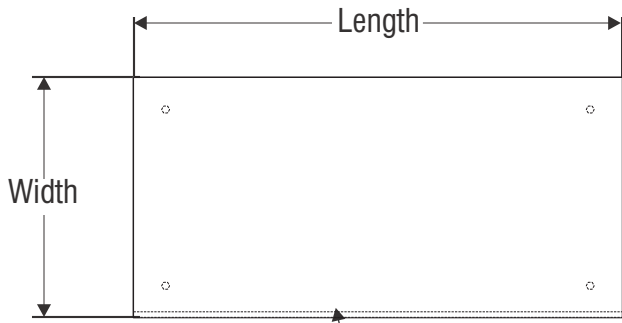
- 14 Gauge, type 304 stainless steel top
- 1" lip (25.4mm) on sides and rear
- Polished satin finish with sound deadening
- 18 Gauge adjustable stainless steel undershelf
- Underside of top has welded, reinforced hat sections and gussets for strength and to maintain level surface
- 1 5/8" diameter 16 gauge stainless steel legs
- 1" adjustable metal bullet feet or heavy duty casters (two with locks)

OPTIONS & ACCESSORIES

- Contact factory

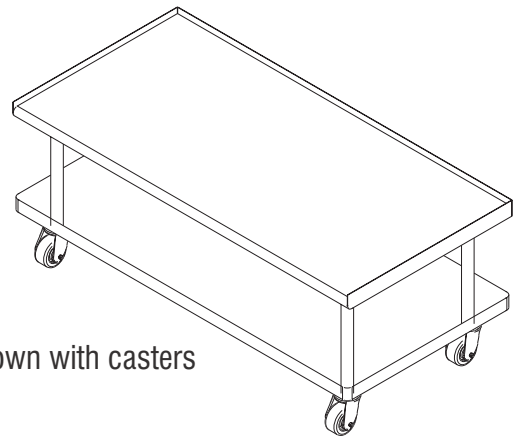
CERTIFICATIONS



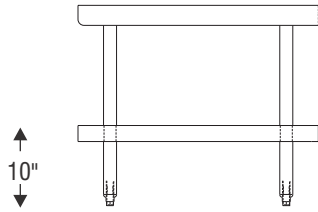


Bull Nose on Front

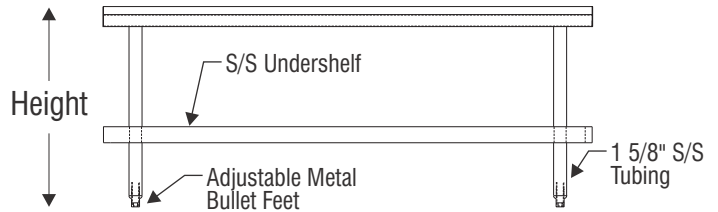
TOP VIEW



shown with casters



SIDE VIEW



FRONT VIEW

ALL DIMENSIONS NOMINAL

SHIPPING INFORMATION: CS SERIES — 35 1/2" (902 mm) Working Heights for use with all Electric Counter Top Equipment

Stationary Model	With Casters Model	Shipping Weight		Overall Dimensions						Carton Dimensions					
		Lbs.	Kilos	Length		Width		Height		Length		Width		Height	
				Inches	mm	Inches	mm	Inches	mm	Inches	mm	Inches	mm	Inches	mm
CS - 3030	CS - 3030C	65	30	31	787	30	762	35 1/2	902	33	838	8	203	32	813

Overall Heights Do Not Vary when ordered with casters or bullet feet

SHIPPING INFORMATION: ES SERIES — 24" (610 mm) Working Heights for use with Griddles, Counter Top Ranges, Broilers & Stacked Equipment

Stationary Model	With Casters Model	Shipping Weight		Overall Dimensions						Carton Dimensions					
		Lbs.	Kilos	Length		Width		Height		Length		Width		Height	
				Inches	mm	Inches	mm	Inches	mm	Inches	mm	Inches	mm	Inches	mm
ES - 2430	ES - 2430C	32	15	25	635	30	762	24	610	26	660	8	203	32	813
ES - 3030	ES - 3030C	40	18	31	787	30	762	24	610	33	838	8	203	32	813
ES - 3630	ES - 3630C	56	25	38	965	30	762	24	610	33	838	8	203	38	965
ES - 4830	ES - 4830C	74	34	49	1245	30	762	24	610	33	838	8	203	50	1270
ES - 6030	ES - 6030C	84	38	61	1549	30	762	24	610	33	838	8	203	62	1575
ES - 7230	ES - 7230C	110	50	73	1854	30	762	24	610	33	838	8	203	74	1880



Pizzaovens.com

1.877.FOR.OVEN
367.6836

Since 1999