



## COUNTER TOP ELECTRIC BAKE & ROAST OVENS

Job \_\_\_\_\_ Item # \_\_\_\_\_

### ELECTRIC COUNTER TOP OVENS

#### Model P48S



Model P48S

#### STANDARD FEATURES

- P48S @ 4300 watts in 208V or 220-240V
- Two independent, operator controlled cook/bake chambers each with a separate set of controls
- Two 60-minute electric timers with continuous ring, audible alarms and manual shut-offs (one for each chamber)
- 150°-550°F Temperature range (65°-288°C)
- Corderite hearth decks
- 7 1/2" Deck height (190mm)
- All stainless steel exterior
- Unitized, welded, aluminized steel interior
- Fully insulated
- Limited one year parts & labor warranty

#### SPECIFICATIONS

The P48S Bake & Roast electric counter top ovens feature two independent, operator controlled baking chambers with 7 1/2" (190mm) deck heights and Corderite hearth decks making them ideal for baking and roasting.

The P48S features two sets of controls — one set for each bake chamber. Each set consists of a 60-minute electric timer with audible alarms and manual shut-offs and a 150-550° F (65-288°C) thermostat.

The exterior front, sides, top and door are fabricated of heavy gauge type 430 stainless steel with a #4 finish. Door handle is constructed of tubular stainless steel. Exteriors measures 26" wide (660mm) by 28" deep (711mm) by 28 1/2" tall (724mm) overall.

The interiors are constructed of high heat aluminized steel, welded to form a single unitized body. The entire oven is insulated with 1 1/2" thick (38mm) industrial grade insulation. Each Corderite hearth deck measures 20 3/4" (527mm) by 20 3/4" (527mm).

Incloy, tubular heating elements provide top and bottom heat with up to 4300 watts in 208V or 220-240V, single or three phase. International voltages available. Ovens are stackable.

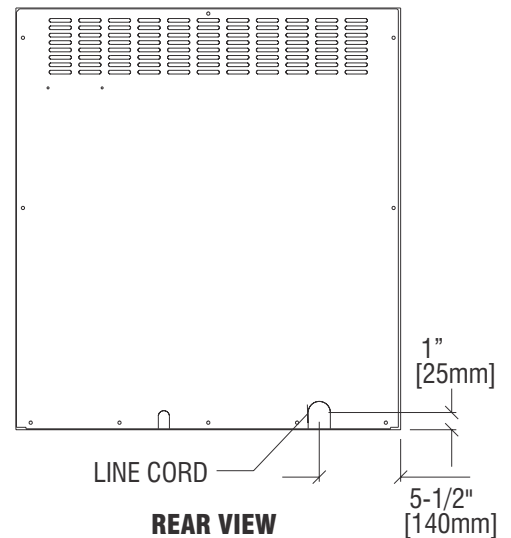
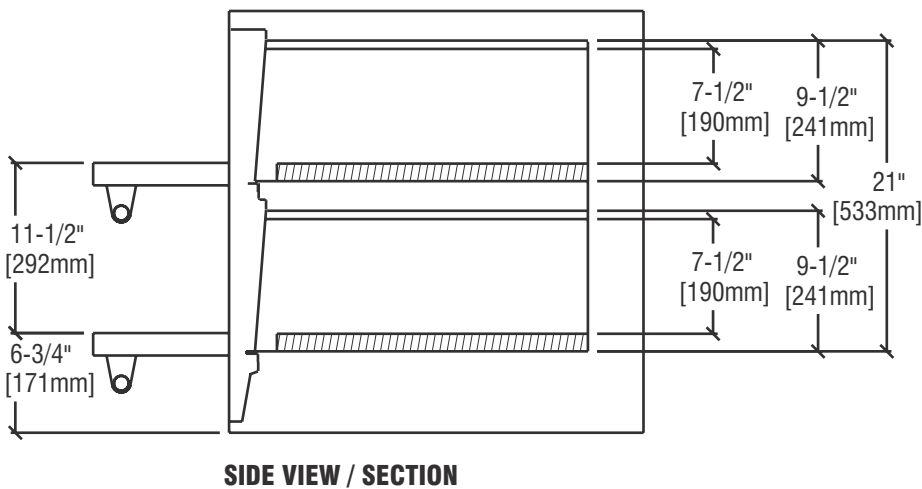
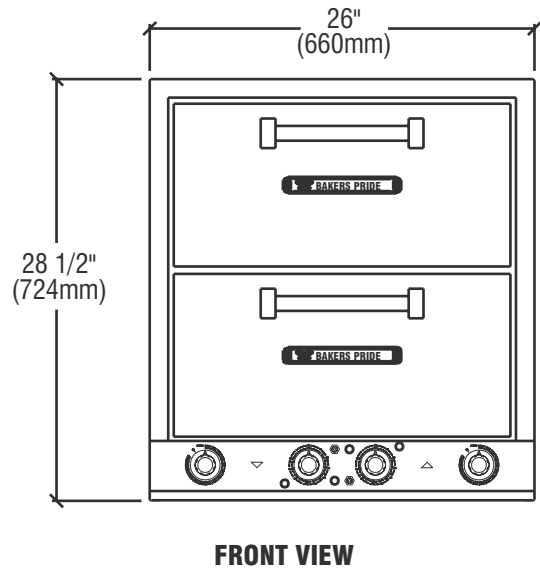
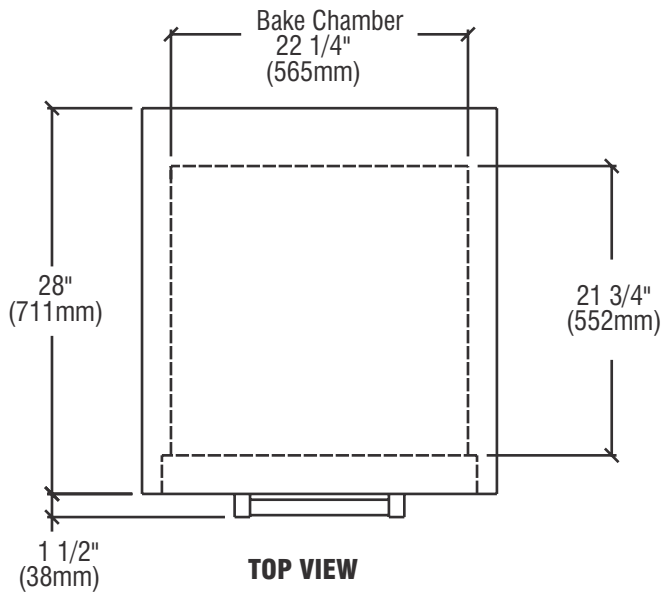
1 Year limited parts and labor warranty included.

#### OPTIONS & ACCESSORIES

- 4" (102 mm) adjustable legs
- Stainless steel stand with or without casters
- Stacking kit
- Brick lined conversion kit
- Steel decks in lieu of Corderite
- Interior lights
- International voltages

#### CERTIFICATIONS





ALL DIMENSIONS NOMINAL

Model	Shipping Weight		Carton Dimensions				Crate Size	
	Lbs.	Kilos	Width Inches mm	Depth Inches mm	Height Inches mm	Cubic Feet	Cubic Meter	
P48S	278	126	30 762	32 813	32 813	17.7	.51	

Under 500 lbs = Shipping Class # 70

Model	WATTS	VOLTAGE	PHASE	AMPS	NEMA Plug #			
					USA	Canada	UK	Europe
P48S	4300	208	1 & 3	20.7 & 20.7		6-30P		
P48S	4300	220-240	1 & 3	18.7 & 18.7				

Each oven requires a separate electrical connection.

1 Phase and Canada include cord and plug

3 Phase and International voltages has no line cord

Model	Deck Size		# Decks	# Cook Chambers	Overall Dimensions			
	Inches	mm			Width Inches mm	Depth Inches mm	Height Inches mm	
P48S	20 3/4 x 20 3/4	527x527	2	2	26 660	28 711	28 1/2 724	

MINIMUM CLEARANCES

	Non-Combustible Construction*		Combustible Construction**	
	Inches	mm	Inches	mm
Left Side	3	76	3	76
Right Side	3	76	3	76
Rear	3	76	3	76

\* In European Community Countries and North America. In NON-COMBUSTIBLE locations only.  
\*\* In European Community Countries only in COMBUSTIBLE locations. NOT for North America.



6-30P



**Pizzaovens.com**  
Your Complete Source  
for buying the right equipment