



FLOOR TYPE, LEVER TILT ELECTRIC KETTLES

TILTING, "SPASH PROOF SERIES", SELF-CONTAINED
2/3 STEAM JACKETED, 20 GALLONS (80 LITERS)

Cleveland Standard Features

- Manual tilting, balanced design
- Self-contained, easily installed - needs only an electrical hook-up
- Steam jacket filled with treated water, venting and/or refilling is not required
- Accurate, consistent solid state temperature controls (mechanical thermostat not as accurate) - less than $\pm 1^{\circ}\text{C}$ variance (ideal for simmering). Operating temperature range from 145° - 260°F (63°C - 127°C)
Control panel includes:
 - LED indicator for heat cycle
 - LED indicator for low water
 - Power ON/OFF switch
 - Adjustable temperature control dial
- Water resistant controls, splash-proof construction
- Large pouring lip for high capacity and chunky products
- Re-inforced rolled rim design prevents damage to kettle rim, eliminates "bar rim designs"
- Welded-in heating elements, (holds vacuum better, won't leak or loose water)
- Easily cleaned: kettle and all exterior surfaces are of type 304 stainless steel with an #4 finish
- Rear mounted easy access pressure gauge and pressure relief valve to prevent tampering. Color coded easy to read pressure gauge with "green" and "vent air zone"
- 50 psi steam jacket rating for higher cooking temperatures
- 50 psi safety valve
- Solid state water level control (no sight glass gauge to break or leak)
- Splash proof element cover with a double gasket seal
- 6" level adjustable feet
- Standard voltage is 208-240 volts, 60 Hz, 3-phase, 3-wire. Field rewirable for single-phase, 2-wire systems

Options & Accessories

- Lift-off Cover (CL20)
- Double pantry faucet with swing spout and mounting bracket (DPK & FBKT)
- Voltage other than standard (VOS)
- Type 316 Stainless Steel Kettle interior for high acid food products (316)
- Food Strainer (FS)
- Basket Strainer (BS-)
- Single pantry faucet with swing spout (SPK)
- High Wattage Operation (HW) (see back page)
- Kettle Accessory Kit (KAK)
 - Clean-up Brush (CB)
 - 36" Kettle Whip (KW)
 - Draw-off Brush (DB)
 - 36" Kettle Paddle (KP)
 - 36" Kettle Brush (KB)
 - 24 oz. Ladle (KL)

MODEL: KET-20-T

ITEM NUMBER _____

JOB NAME / NUMBER _____

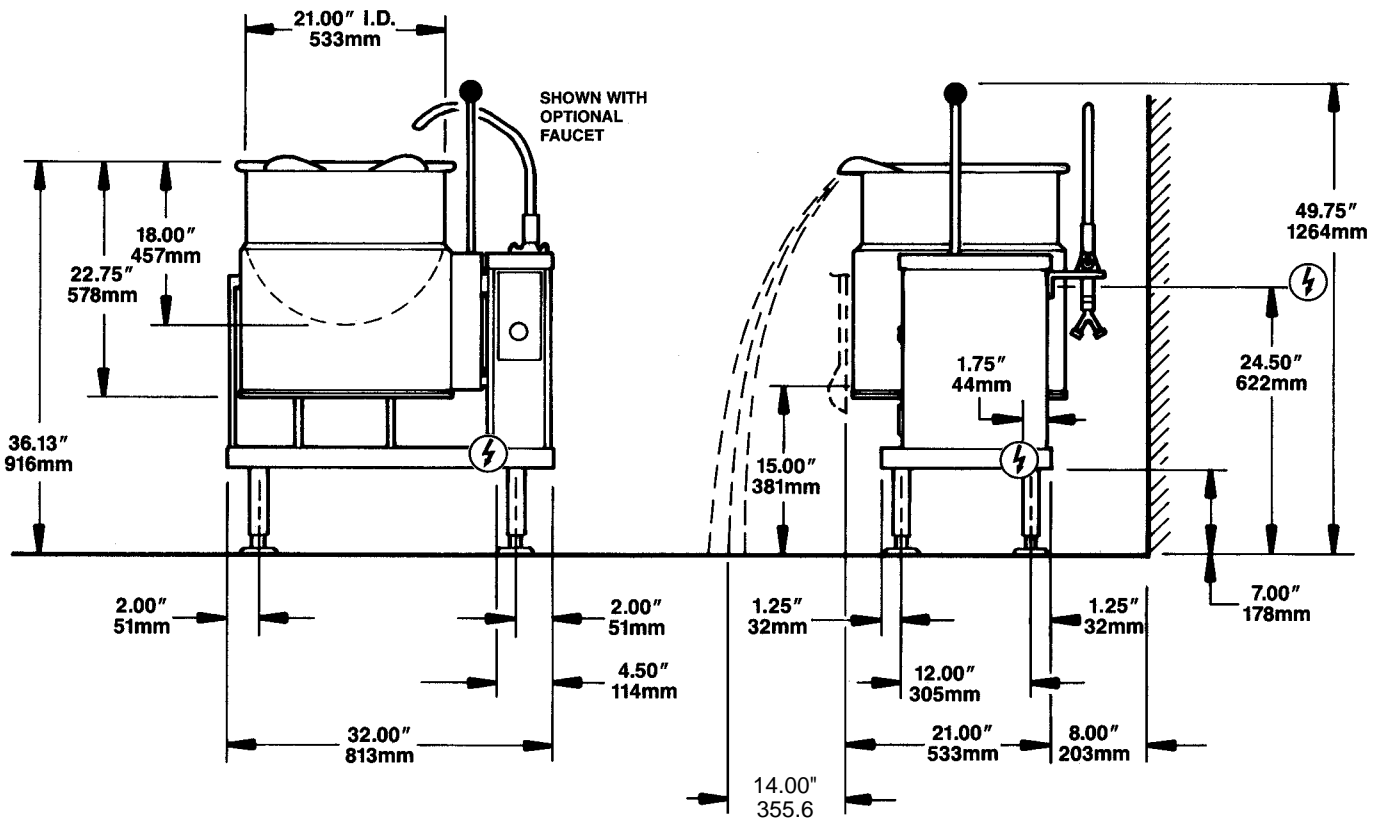
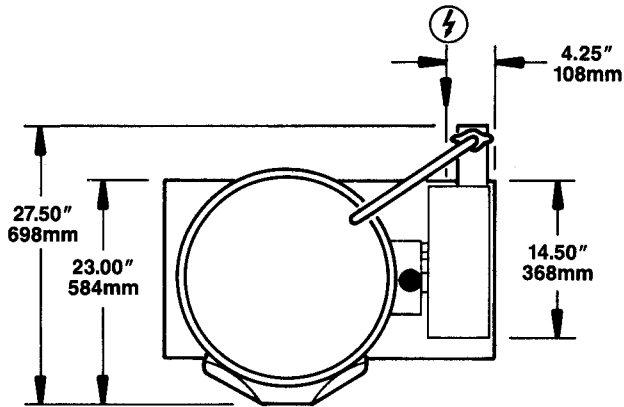


Short Form Specifications

Shall be CLEVELAND, Electric, self-contained Kettle, Model KEL-20-T; 20 gallons, tilting, ___ KW, ___ volt, ___ Hz, ___ - phase, 2/3 jacketed type. Type 304 Stainless Steel kettle and supports. Rated 50 psi with Safety Valve, Permanently filled Steam Jacket, Splash Proof Solid State Temperature ($\pm 1^{\circ}\text{C}$) and Safety Control System in plug-in Module including L.E.D. indicators. (Optional Lift-Off Cover)

- Measuring Strip (MS)
- Flow Diverter (FD)
- Kettle Markings (KM)
- Protective Control Panel (PCE)

- CAPACITIES: (in 4 oz. servings, other sizes may be calculated)
20 Gallon / 80 liters 704 servings



ELECTRIC ⚡													WATER		CLEARANCE			
ELECTRICAL SUPPLY STANDARD WATTAGE													3/8" O.D. copper tube or 1/2" N.P.T. pipe. When ordered with optional faucet.		RIGHT = 0" LEFT = 0" REAR = See drawing			
		208 VOLTS			240 VOLTS			480 VOLTS			220/380 VOLTS							
CAPACITY		KW	AMPS 1PH	AMPS 3PH	KW	AMPS 1PH	AMPS 3PH	KW	AMPS 1PH	AMPS 3PH	KW	AMPS 1PH					AMPS 3PH	
GALS.	LITERS																	
20	80	12.3	59.1	34.2	16.4	68.1	39.4	13.1	27.3	15.8	13.6	N/A	20.7	Dual voltage of 220 / 380 (shown on chart) require a four wire, three phase electrical supply.				

Cleveland Range reserves right of design improvement or modification, as warranted.

NOTES:

Cleveland Range reserves right of design improvement or modification, as warranted.
 Many regional, state and local codes exist and it is the responsibility of the owner and installer to comply with the codes.
 Cleveland Range equipment is built to comply with applicable standards for manufacturers. Included among those approval agencies are U.L., NSF, CGA, CSA, ETL and others.