

TABLE TOP, GAS-FIRED KETTLES

TILTING, 2/3 STEAM JACKETED

"SPLASH PROOF SERIES"

6 or 12 GALLONS (23 or 45 LITERS)

Cleveland Standard Features

- Self contained gas tilting kettle is easily installed, only needs a gas connection and a 115 volt outlet.
- **Precise, consistent temperature control**, less than 1°C temperature variance (ideal for simmering). Operating temperature range from 145°- 260°F (63°C-127°C).
- **"Splash Proof" solid state control panel** for temperature, low water safety, and power "on/off" switch. Accurate L.E.D. indicators for heat cycle and low water warning.
- **Kettle and all exterior surfaces are a 304 Stainless Steel with a #4 finish.**
- **Energy efficient (65%), high performance gas-fired heating system for fast heat up and recovery time:**
 - Six gallon model with a 34,000 BTU firing rate, and 22,100 BTU directly applied to the product.
 - Twelve gallon model with a 53,000 BTU firing rate, and 34,450 BTU directly applied to the product.
- Supplied with Gas Pressure Regulator.
- Standard for natural gas operation.
- **Self locking marine type tilting mechanism** prevents accidental tilting. Balanced design makes it easy to tilt. The tilt handle easily mounts on left or right side. Double safety gas shut off turns off the gas when the unit is tilted.
- **Large pouring lip for easier, faster pouring.** Heavy duty Rolled Rim design provides strong reinforcement, prevents damages from abuse.
- **"Splash Proof" recessed pressure/vacuum gauge.**
- **Steam jacket permanently filled with treated distilled water**, venting and / or refilling is not required.
- **50 PSI Steam Jacket Rating.** Safety valve mounted toward rear of kettle to avoid tampering.
- **Automatic Electronic Spark Ignition System.**
- Supplied with cord and plug for 115 volt controls.
- Typical approvals include AGA, CSA, CE, NSF and ASME.

Options & Accessories

- Stainless Steel equipment stand with sliding drain drawer and splash shield (ST-28)
- Hot and cold water faucet (DPK), or Cold Water (SPK). Requires bracket (FBKT)
- 316 Stainless Steel Liner (316G)
- Cooking Baskets (BS)
- Food Strainers (FS)

- MODELS:** KGT-6-T
 KGT-12-T



Short Form Specifications

Shall be CLEVELAND, gas kettle, Table Type, self-contained, tilting, Model KGT-____-T; ____ gallons, natural or LP gas, 2/3 steam jacketed, type 304 Stainless Steel and supports. Jacket rated at 50 psi with Safety Valve. Complete with solid state water level, temperature, and safety low water power cut off, including LED indicators. Option lift off cover.

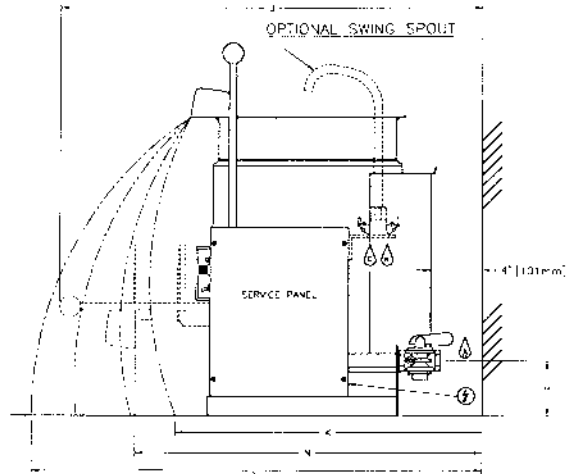
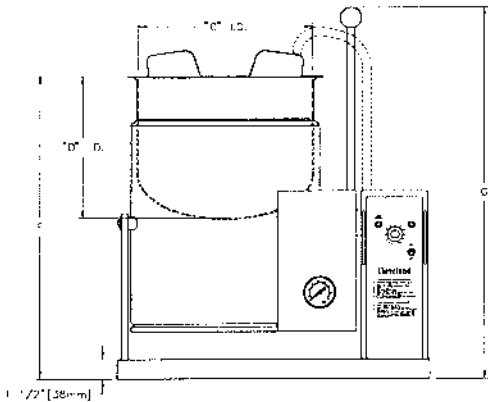
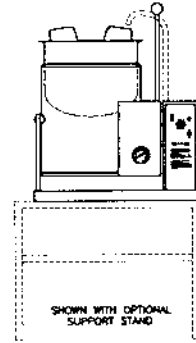
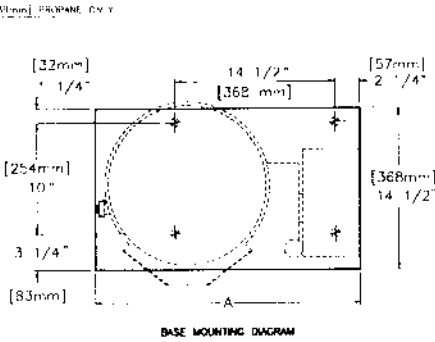
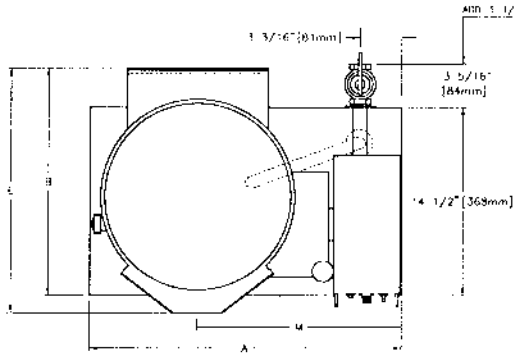
- Measuring Strips (MS)
- Spray Hose (PRS-K)
- Lift Off Cover (CL)
- Propane Gas Operation (PG)
- Self Locking Hand Tilt Mechanism (HTK - 12 gallons only)
- Kettle Markings (KM)
- Protective Control Panel (PCE)



Pizzaovens.com

**Your Complete Source
for buying the right equipment**

- CAPACITIES: (in 4 oz. servings, other sizes may be calculated)
6 gallons / 23 liters192 servings
12 gallons / 45 liters352 servings



KETTLE SIZE			A	B	C	D	E	F	G	H	J	K	L	M	N
GALS.	LITERS														
6	23	INCHES	24	19 1/4	13 3/4	11	18 3/4	23 3/4	28 3/4	4 1/4	32 1/2	24	37	15 3/4	27 1/4
		mm	610	490	340	279	476	594	730	108	826	610	940	400	692
12	46	INCHES	27	20 3/4	16 3/4	14 1/8	23	27	39	5 1/4	43	30	43	16 1/2	31
		mm	686	518	425	357	584	686	991	149	1092	762	1092	419	787

GAS			ELECTRIC		WATER		CLEARANCE		
NATURAL		PROPANE	B.T.U. RATING						
piping: 3/4" NPT.		piping: 3/4" NPT.	6 gal.	34,000	120V 1 ph		RIGHT = 0"		
Supply pressure: 4.5" W.C. minimum 14.00" W.C. maximum		Supply pressure: 11.00" W.C. minimum 14.00" W.C. maximum	12 gal.	53,000	60 hz		LEFT = 0"		
Manufacturer must be notified if unit will be operated above 2,000 ft. [610m] altitude.				6 ft. [1.8m] cord c/w u-ground plug supplied.		3/4" O.D. copper tube or 1/2" N.P.T. pipe.		REAR = 4" [102cm]	
				5 amps		When ordered with optional faucet.			

NOTES:

Cleveland Range reserves right of design improvement or modification, as warranted.
Many regional, state and local codes exist and it is the responsibility of the owner and installer to comply with the codes.
Installation of backflow preventers, vacuum breakers and other specific code requirements is the responsibility of the owner and installer.
Cleveland Range equipment is built to comply with applicable standards for manufacturers. Included among those approval agencies are U.L., A.G.A., NSF, ASME/N.Bd., CSA, CGA, ETL and others.