

**4432N-M/D4432N-M****Front-Breathing Self-Contained Compact MegaTop Refrigerators****Short Form Specifications**

**Exterior top** is one-piece, 22-gauge stainless steel with integral 2.12" (5.1 cm) square nosing on the front. Top has two openings to accept twelve 1/6-size 4" (10.1cm) or 6" (15.2cm) deep pans or two 12" x 20" (30.5cm x 50.8cm) full size pans, 4" (10.1cm) or 6" (15.2cm) deep. Adapter bars and 1/6 size pans are supplied by Delfield. Telescoping cover is constructed of 20-gauge stainless steel. Temperature in top opening to maintain 33°F (1°C) to 41°F (5°C), with pans recessed 2.5" (6.4cm) at 86°F ambient room temperature, meeting NSF 7 requirements. One 32" x 8" x .5" (81.3cm x 20.3cm x 1.3cm) plastic cutting board is mounted on the top at the front edge.

**Exterior back and bottom** are two-piece 24-gauge galvanized steel. Exterior ends are stainless steel.

**Interior sides** are thermoformed ABS plastic with pilaster shelf supports and clips. Base is fully insulated with high-density foamed in place polyurethane.

**Refrigeration** system uses HFC-404A refrigerant. Compressor is 1/5 H.P., with condenser coil and hot gas condensate evaporator mounted on rear of the cabinet. Evaporator coils and temperature control are located on the interior rear wall of the cabinet. Refrigerant flow is controlled by a capillary tube. Cabinet maintains an interior cabinet temperature of 36°F to 40°F (2°C to 4°C).

**Electrical connection** is 115 volt, 60 Hertz, single phase. Unit has an 8' (2.4m) long electrical cord and NEMA 5-15P plug.

**Casters:** Equipment is mounted on 2" (5.08cm) diameter plate casters with front two locking. Equipment clearance above the floor is 2.5" (6.35cm).

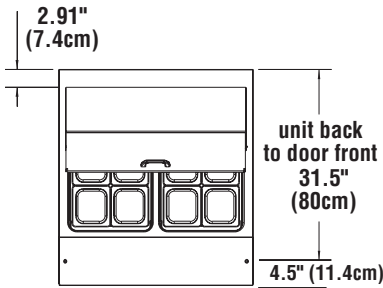
**Doors** have a 22-gauge stainless steel exterior, with thermoformed ABS plastic interior liner. Cabinet has one adjustable epoxy-coated wire shelf.

**Drawers** have 22-gauge stainless steel exterior with thermoformed ABS plastic interior liner. Drawer frames are 14-gauge stainless steel. Drawer slides are 14-gauge stainless steel with stainless steel bearings. Top drawer will hold two 12" x 20" (30.5cm x 50.8cm) pans 4"- 6" (10.1cm - 15.2cm) deep. Bottom drawer holds two 12" x 20" (30.5cm x 50.8cm) pans 4" (10.1cm) deep. Pans are supplied by others.

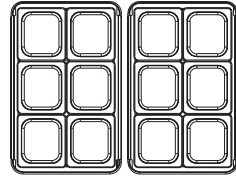
**Optional Accessories and Modifications**

- Flat lift off covers
  - 18" wide single tier overshef
  - Stainless steel finish on back
  - Plastic laminate on front
  - Additional wire shelves
  - Door lock
  - \*220V/50 Hertz electrical system
- \*Inclusion of this option will alter electrical specifications of the unit.

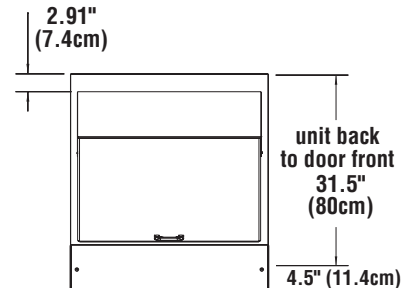
**Model 4432N-12M**



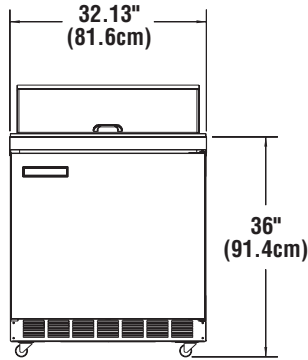
**PLAN VIEW  
4432N-12M**



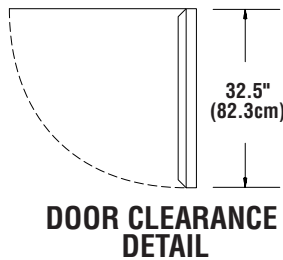
**PAN CONFIGURATION**



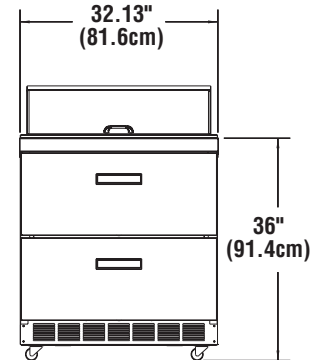
**PLAN VIEW  
D4432N-12M**



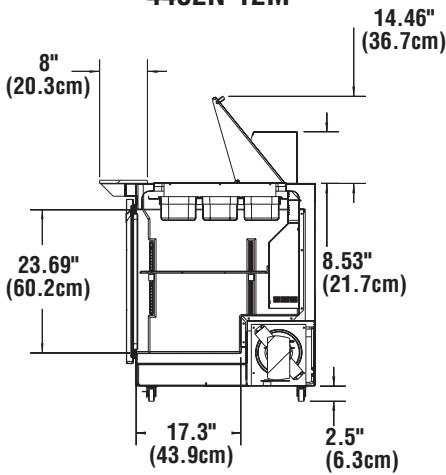
**ELEVATION VIEW  
4432N-12M**



**DOOR CLEARANCE  
DETAIL**



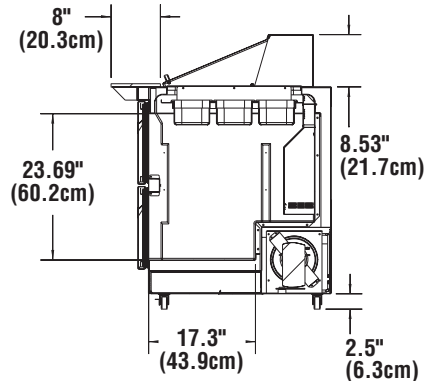
**ELEVATION VIEW  
D4432N-12M**



**END VIEW  
4432N-12M**

**INSTALLATION NOTE:**  
Refrigeration system is designed so that air will flow under the unit, through the compressor area and out the front of the unit. Any restriction to this air flow path will void the warranties. **PLEASE NOTE:** Air flow through the louver on the back of the unit is not necessary for operation; however, any air which passes through the louver is beneficial.

\*Drawer fully extended is 21" (53.3cm) past the nosing



**END VIEW  
D4432N-12M**

### Mechanical Data—Standard Unit

MODEL NUMBER	1/6 SIZE PAN CAPACITY	#OF SHELVES	SHELF AREA. SQ. FT.	STORAGE CAP. CU. FT.	H.P.	VOLTS/HERTZ/ PHASE	AMPS	NEMA PLUG	SHIP WEIGHT
4432N-12M	12	1	3.97	6.9	1/5	115/60/1	6.5	5-15P	315 lbs/ 143 kg
D4432N-12M	12	NA	NA	2.7	1/5	115/60/1	6.5	5-15P	350 lbs/ 158 kg