



DBBQ12

RPBBO
(optional warmer)

Rotisserie oven

Jet Air recycled air system.

Fast cooking (around 70 minutes for 3-4 lb (1.4 kg - 2.3 kg) chickens). Cooking temperature reached in 15 minutes.

20% less weight loss vs spits or lazy susan rotisseries (water at the bottom gives a tender inside meat and the outside will be nice and crispy).

With water at the bottom of the DBBQ12, grease floats and is easy to clean with our standard draining system (no fumes).

Unique 12 chickens tree design. Put or take out as many as you want, it's simple!

80% less fat dripping on your chickens than our competitors ovens.

Take out the tree and cook on our standard shelves (4) all your chicken wings, turkey, roast beef, ribs, lamb, briskets, etc.

DBBQ12

"Superior **quality** product
at an **affordable** price!"

OVEN 12 chickens

OVEN FEATURING

- Moving air system
- Full view heat reflective thermos glass door
- Brightly lit
- Digital temperature controllers and timer
- Fully insulated, completely sealed
- Cooks 12 chickens per load
- Cooks 4 pans (13" X 18") (330 X 457 mm) of wings, roast beef, turkey, lamb, ribs, briskets, etc.
- 4 removable chrome shelves
- Even cooking
- Simple to operate
- Temperature up to 500°F (260 °C)
- Energy efficient electric heating (baking temperature reached in 15 minutes)
- Magnetic latch
- Extremely compact
- Stainless steel inside and outside
- Grease filter
- 2" (51 mm) legs
- ETL listed
- One year parts and labor limited warranty

WARMER 24 chickens

WARMER FEATURING

- Stainless steel inside and outside
- Keep chickens warm for more than 4 hours
- Full view glass door
- 3" (76 mm) casters
- Heat control
- Temperature up to 175°F (80 °C)
- 4 standard shelves

DIMENSIONS

DBBQ12 25 1/2"W X 33"D X 35 1/2"H
(648 mm X 838 mm X 902 mm)
RPBBQ 25 1/2"W X 32"D X 35"H
(648 mm X 813 mm X 889 mm)

INTERIOR DIMENSIONS

DBBQ12 21 1/2"W X 18 1/2"D X 23 1/2" H
(546 mm X 470 mm X 597 mm)
RPBBQ 21 3/4"W X 28"D X 23 1/2" H
(552 mm X 711 mm X 597 mm)

Shelf spacing

DBBQ12 : 5 1/2" (140 mm)
RPBBQ : 4 7/8" (124 mm)

ELECTRICAL SYSTEM

DBBQ12

1 Phase:

240V - 22.5 A - 5.4 kW - 2 wires - 60 Hz NEMA 6-30P
208V - 26 A - 5.4 kW - 2 wires - 60 Hz NEMA 6-30P

RPBBQ

1 Phase:

120V - 9.2 A - 1.1 kW - 2 wires - 60 Hz NEMA 5-15P

Other voltages available

CAPACITY

Oven

Half sheet pans 18" X 13" (457 mm X 660 mm) : 4 pans
Chickens : 12 chickens on tree

Warmer

Chickens : 24 chickens

FINISH

Stainless steel

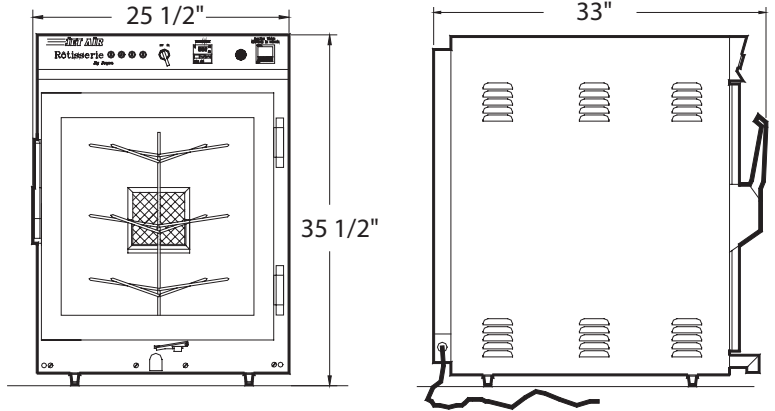
SHIPPING WEIGHT

DBBQ12 400 lb (182 kg) approximately
RPBBQ 200 lb (91 kg) approximately

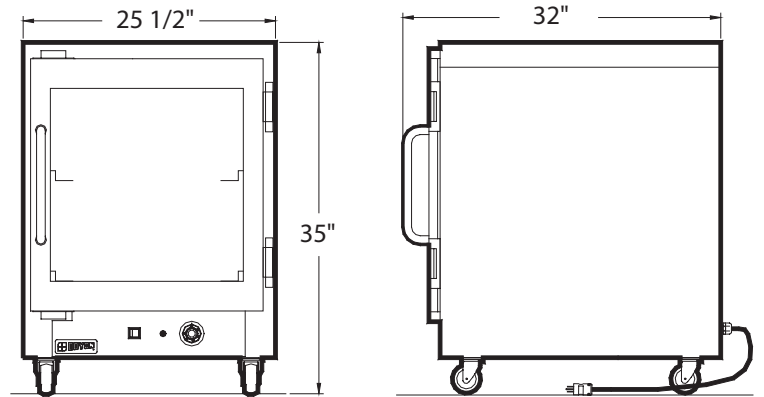
Electrical service connection located at the back of the units.

Specifications and design subject to change without notice.

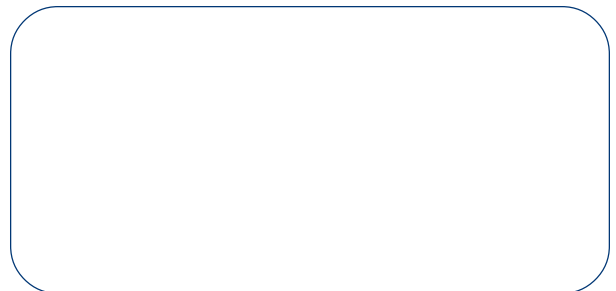
DBBQ12



RPBBQ (warmer)



Your local distributor: / Votre distributeur:



Pizzaovens.com

1.877.FOR.OVEN
367.6836

Since 1999