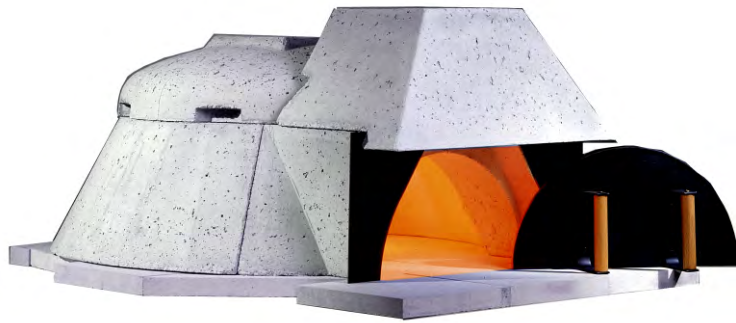




MODEL 90 Modular WOOD-FIRED OVEN



35" Interior cooking diameter

Wall and dome elements are a dense superior high temperature refractory material composed of 80% alumina and other advanced elements for extra durability, heat retention and longevity.

High Thermal Mass for excellent heat retention.

Hearth Floor Tiles - "Pierre de Boulanger" are cold pressed at 8,500 psi and ceramitized at 2800F degrees.

Large oven entrance opening allows for maximum visibility and easy usage.

Shipping Weight: 1,200 lb

Model 90 Modular Oven Includes:

Floor Tiles (18)

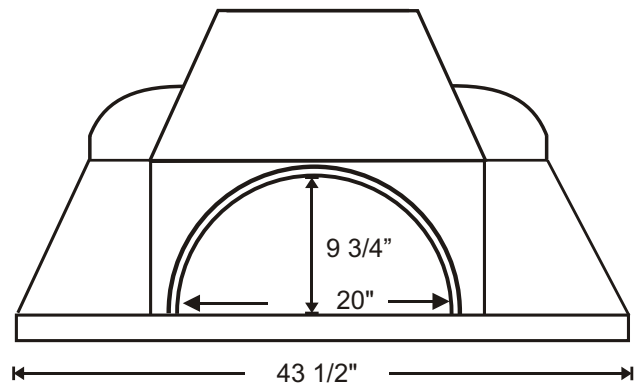
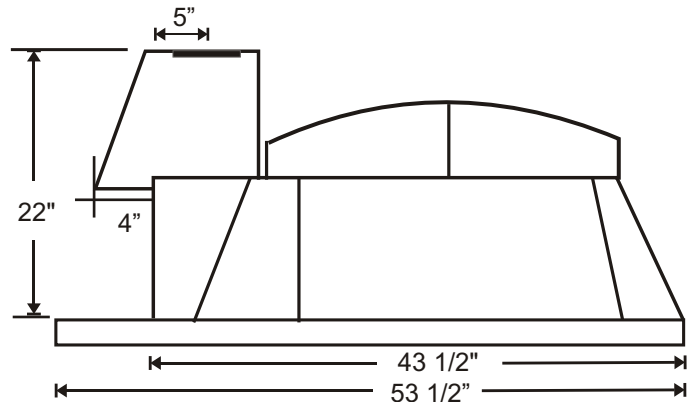
- 1 - 12" X 6"
- 11 - 12" X 12"
- 2 - Triangular 12" X 12" x 16 1/2"
- 2 - Four Sided -12" X 5" X12"x 1 1/2"
- 2 - Four Sided -10" X 12" X 5" X 13"

Oven Pieces:

- Primary Hood
- Dome Pieces (2)
- Side Wall Pieces (3)
- Front Entrance Piece

Additional Items:

- Steel Entrance Plate (black)
- Thick Cast Aluminum Door
- Dial Temperature Gauge (probe 3ft)
- Refractory Cement (22 lb / 10 kg Bag)
- Galvanized Metal Flashing
- High Heat Silicone Tube
- Plywood Spacers
- Refractory Cement (container)
- Package of Fire Starters
- Stainless Steel Pizza Peel



EARTHSTONE

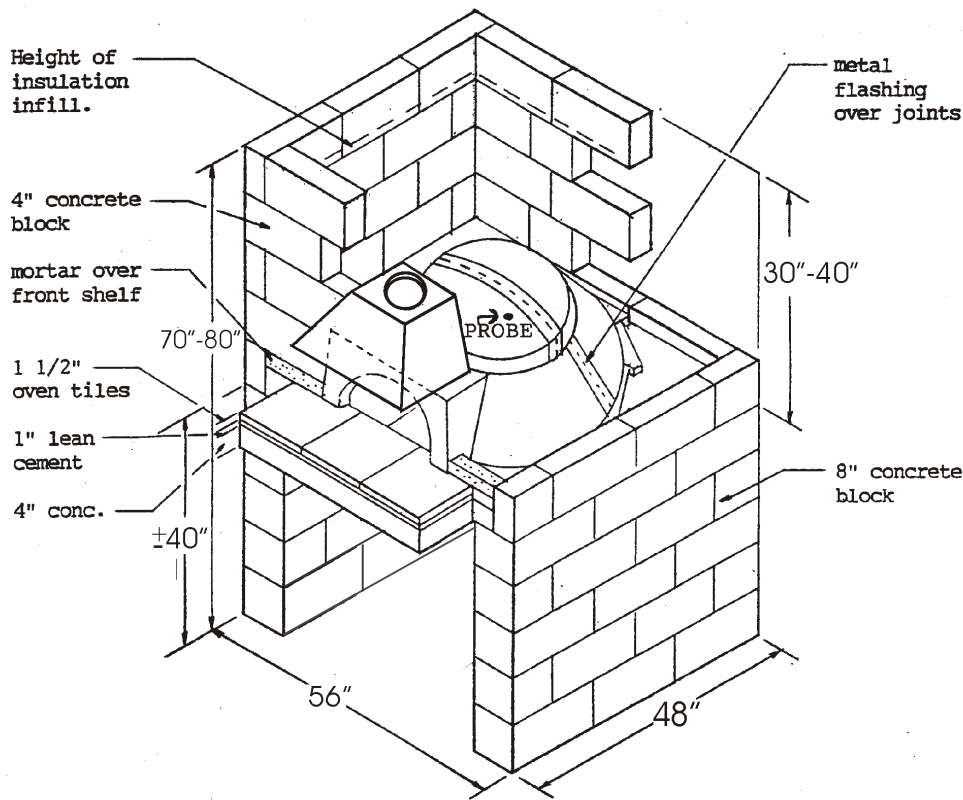
WOOD-FIRE OVENS



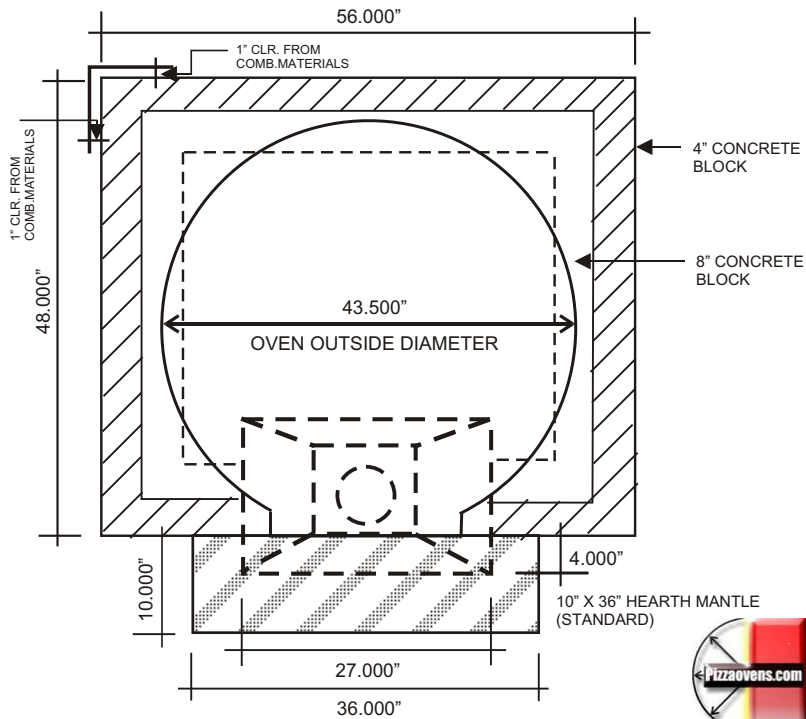
MODEL 90 Modular

WOOD-FIRED OVEN

Concrete Block Assembly



Top View



EARTHSTONE
WOOD-FIRE OVENS



Pizzaovens.com

1.877.FOR.OVEN
367.6836

Since 1999