



Delta 5



Standard Features

- 1.2 gallons per cycle
- 37 racks per hour (925 - 2 1/2" glasses per hour)
- 3 way dispensing system for detergent, rinse additive and sanitizer
- 115 Volt / 60 HZ / 1 phase operation
- Sustaining heating element maintains final rinse between 120°F and 140°F
- Powerful 3/4 HP wash motor
- Overall height – 39"
- 11 1/2" wash chamber clearance
- Lower rotary wash arm and fixed upper jets
- Removable end plugs on lower wash arms and removable upper jets
- Air gap water inlet
- Built-in waste accumulator
- Solid state controls
- Automatic fill, cycle and drain
- Quick disconnect control box for easy service and access
- Temperature delay feature to ensure proper temperatures
- LCD indicator displays operating conditions and status of machine functions
- Heavy duty stainless steel construction
- Door safety switch
- Push button start
- Stainless steel main frame
- Adjustable bullet feet

Power/Connections

Electrical Requirements

Rinse Booster Tank Heater Element	2.0 KW
Wash Pump Motor Horsepower	3/4

Water Requirements

Gallons per Hour	44
Flow Rate GPM	1.0
Flow Pressure (PSI)	15-25
Waterline Size IPS (Minimum) (Inches)	1/2
Drainline Size (Minimum) (Inches)	2

Sanitizers Available

Sodium Hypochlorite	50 PPM
Iodophor	12.5 PPM

Performance/Capacities

Operating Capacity

Racks per Hour	37
Dishes per Hour	925
Glasses per Hour	925

Operating Cycle (Seconds)

Normal Cycle	
Wash Time	46
Rinse Time	25
Dwell	21
Total Cycle	92
Heavy Cycle	
Prewash Time	20
Wash Time	45
Rinse Time	25
Dwell	40
Total Cycle	130

Operating Temperatures

Wash (Minimum) °F	120
Wash (Recommended) °F	140

Tank Capacity (Gallons) 1.2

Wash Pump Capacity (GPM) 61

Dimensions (Inches)

Width	23 5/8
Depth	25 1/4
Height	39
Standard Table Height	28 1/2
Maximum Clearance	10 1/2

Shipping Weight (Lbs.) 210

Shipping Size (Inches)

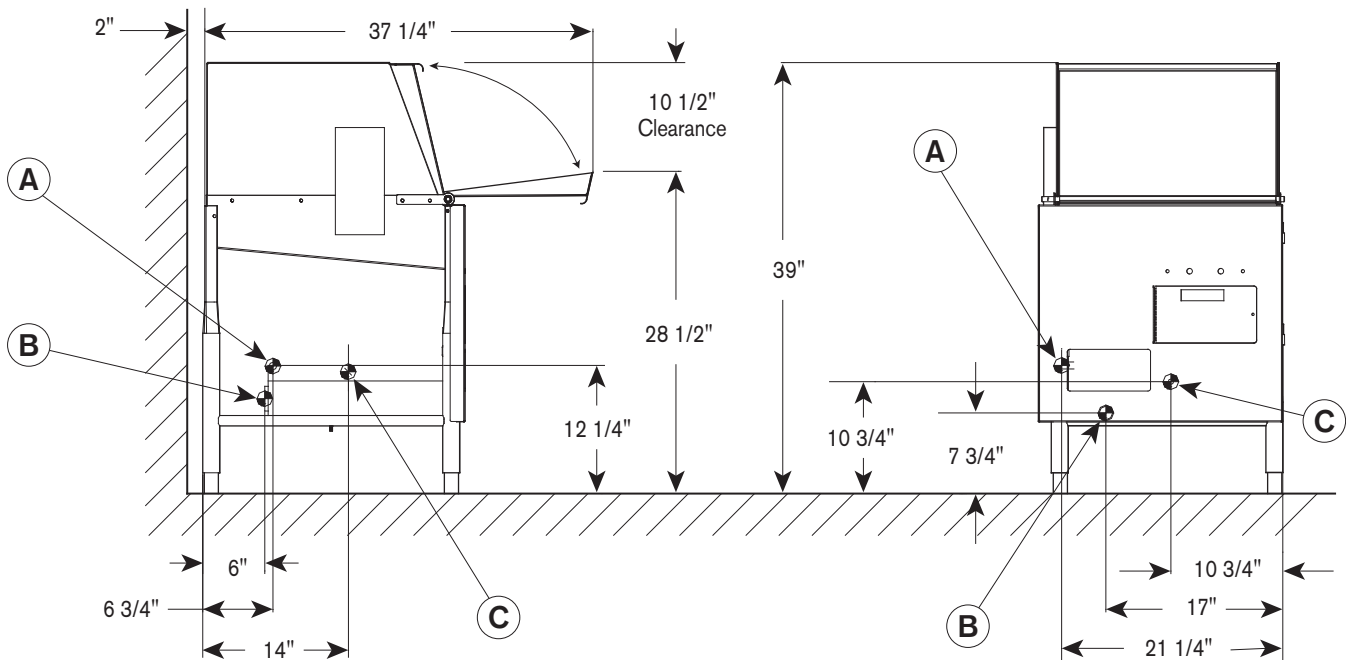
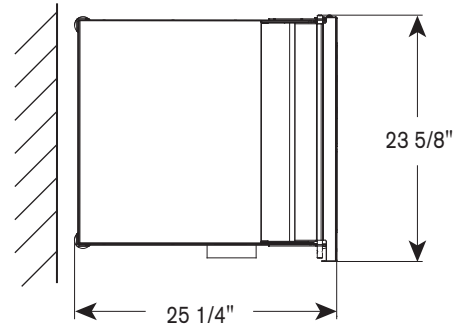
Width	30
Depth	32
Height	54

Short Form Specifications

Item No. _____

Unit shall be Jackson model Delta 5 rack style chemical sanitizing dishmachine or glasswasher. Electrical characteristics to be 115 volts / 60 cycles / single phase operation with a 92 second automatic cycle using 44 gallons of 120°F. minimum (140° F. recommended) final rinse water per hour. Stainless steel construction to include frame, wash tank, top and side panels. A 3/4 HP motor mounted to a cast iron pump with a stainless steel impeller shall be mounted to the machine frame. As standard the unit shall include:

- Capacity of 37 racks per hour.
- Temperature delay to ensure proper NSF temperatures.
- Gravity drain
- Solid-state controls.
- Door cycle switch
- Sustaining heating element maintains final rinse water between 120°F. and 140°F.
- Three (3) chemical dispensing pumps
- Unit shall be NSF Certified and UL/CUL Listed.



LEGEND:

- A** – Water inlet 1/2" I.P.S. for incoming 140°F water
- B** – 2" drainline connection
- C** – Electrical connection–20 amp circuit required

All dimensions in inches.

All vertical dimensions are +/- 1/2" from floor due to adjustable bullet feet.

Approximate Total Load Amps

115/60/1	16.0*
----------	-------

*The Delta 5 is designed so that the wash motor and heater are never on at the same time, therefore service load is based upon the highest amperage draw, which would be the heater.

