



Chicken Range Specifications

Model No. CH-3, CH-4, CH-5, CH-6

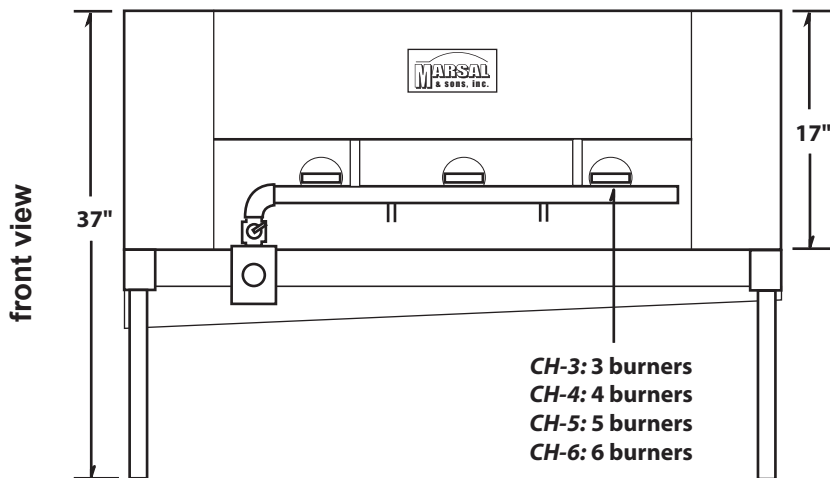
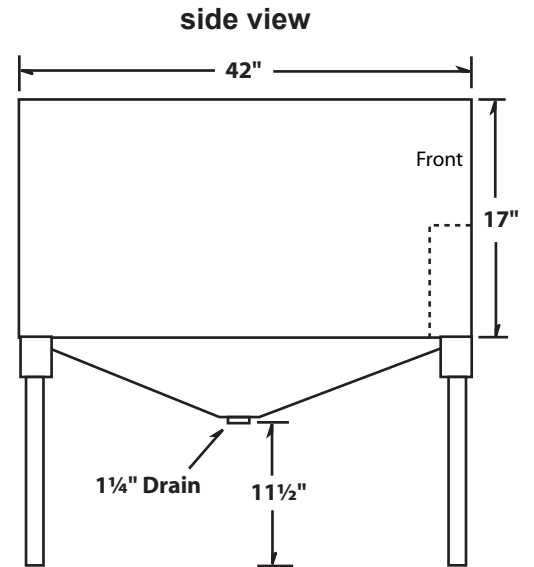
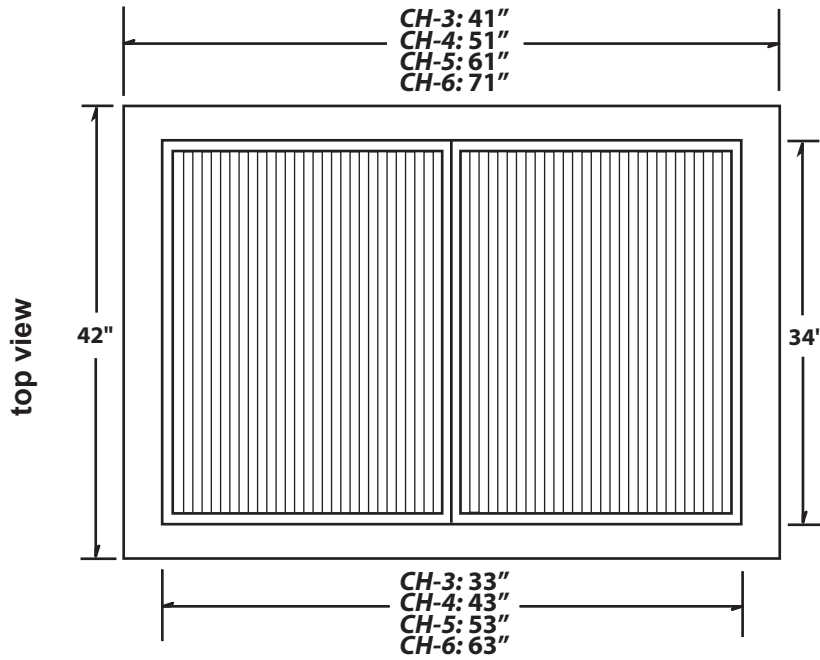


Pizzaovens.com

1.877.FOR.OVEN
367.6636

Since 1999

CH-3 Shown



Pizzaovens.com

1.877.FOR.OVEN
367.6636

Since 1999 Copyright ©2006 Marsal & Sons, Inc. All designs and specifications presented in this document are subject to change without notice due to constant innovation.