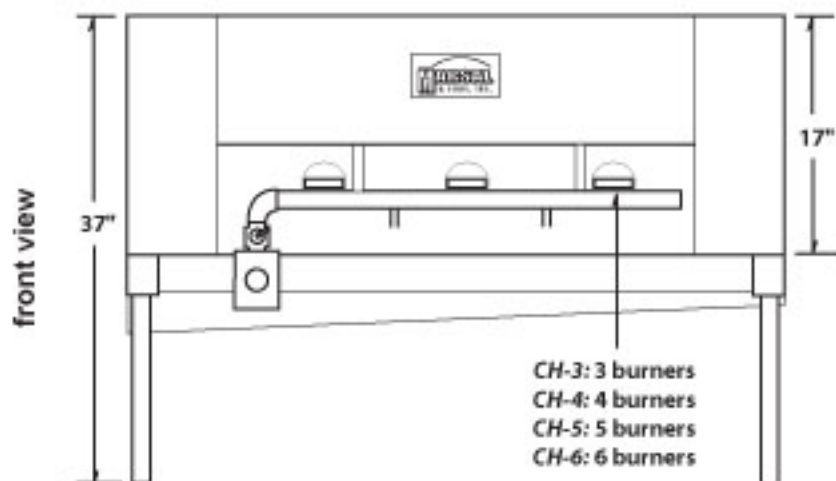
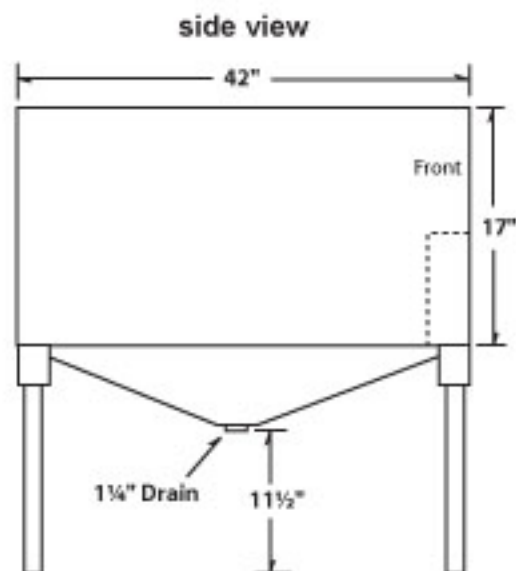
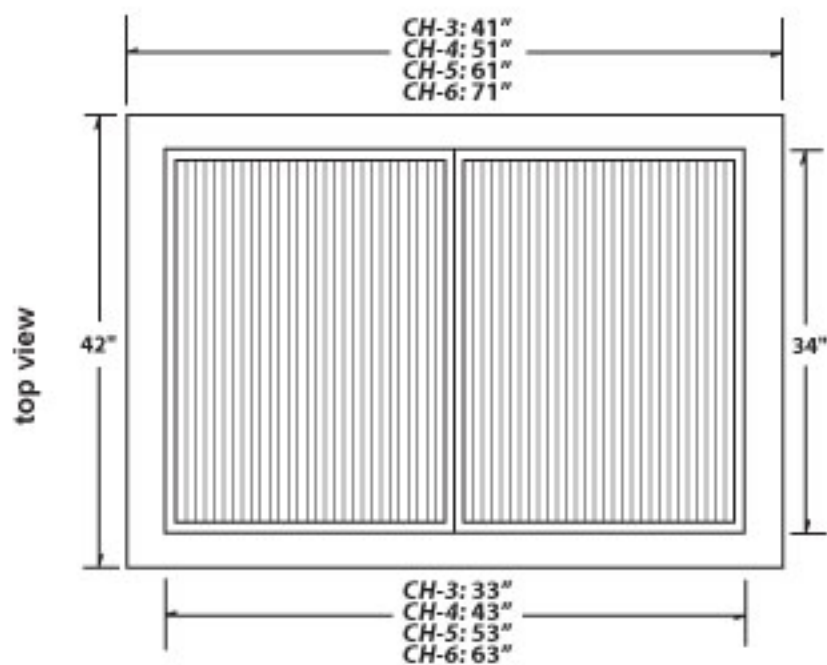




Chicken Range Specifications

Model No. CH-3, CH-4, CH-5, CH-6

CH-3 Shown



Pizzaovens.com

1.877.FOR.OVEN
367.6836

Since 1999