



Pizzaovens.com

1.877.FOR.OVEN
367.6836

Since 1999

THE VESUVIO

the baking power of the MB series just hit home.

Customize Your Oven!



Optional Tile Finish



Optional Brick Finish



Standard Stainless Steel Oven
w/ Optional Sliding Prep Shelf Base

Finally, the the baking power of the Marsal brick-lined oven is available as a personal powerhouse. The new 18 x 18 inch deck is designed to meet all of your baking needs, including pizza, bread, and a variety of other menu items in a small and elegant style. Like all of our MB ovens, the Vesuvio can be customized to fit your needs and your preferences.



Pizzaovens.com

1.877.FOR.OVEN
367.6836

Since 1999

www.marsalsons.com

Model No.: **MB 18**

MARSAL
& sons, inc.

Pizza Ovens and Equipment

THE VESUVIO

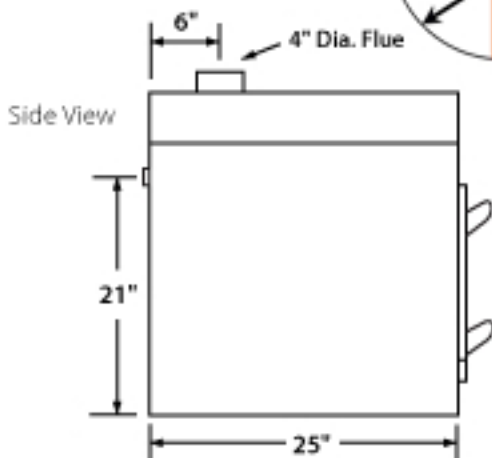
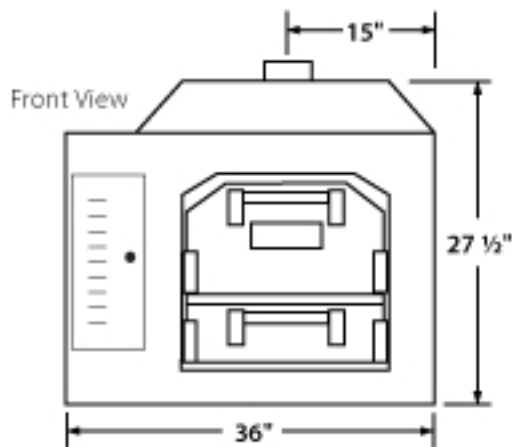
the baking power of the MB series just hit home.



Deluxe Stainless Steel Stand with Sliding Prep Shelf



Refractory Brick-Lined Top, Back, and Cooking Surface



FEATURES

- The Exclusive Marsal Burner System. Oven burner runs left to right for the best heat distribution throughout the baking chamber.
- Concealed Thermostat and Safety Valve behind a vented control door.
- Thermostatically controlled from 300° to 650° F.
- Refractory brick-lined baking chamber with an arched refractory brick-lined ceiling.
- Up to 4" of fiberglass insulation allowing for ZERO clearance at sides. "The best in the industry" means less heat loss into the kitchen.
- Powder coated finishing on all doors.
- Full length 10 gauge heat diverters.
- 18" wide by 7" high door opening.
- Manufactured using 18 gauge stainless steel on the outside and aluminized steel on the inside.
- As easy to operate as any deck oven!
- Available in NAT or LP gas. 3/4" gas connection in the rear.
- One Year warranty on labor and parts.
- UL Safety and UL Sanitation listed.

Made in the USA

30,000 BTUs
265 LBs



OPTIONS

- Finishing kits available.
- Stainless Steel Stand
- Four inch legs.



Restaurant Equipment Worldwide
Toll Free: 877.FOR.OVEN
International: +1 859.885.1988

MARSAL
& sons, inc.
Pizza Ovens and Equipment