



Bid Specifications:

The Built-in Thermal Shelf shall be Merco model _____ rated at _____ watts, 120 volts, single phase AC, and shall be _____ overall width. It shall consist of a thermostatically controlled heated base and a cored with plug attached.

Built-In Thermal Shelves

Built-in Thermal Shelves

Model

- TS2-24B
- TS2-42B
- TS2-60B
- TS2-30B
- TS2-48B
- TS2-66B *
- TS2-36B
- TS2-54B *
- TS2-72B

Models available in either Insert or Flush top. *Not available with Flush Top.



Standard Features

- All models feature a thermostatically-controlled heated base to extend the holding times of most food

Options

- Flush mount electronic control box with lighted power switch
- Flush mount control box with lighted power switch
- Stainless steel surface available only on flush mount models

Description

The Merco Built-in Thermal Shelf has a hardcoated aluminum or stainless steel surface and blanket type foil element for uniform heat. Fiberglass insulation keeps heat at the holding surface while a built-in adjustable thermostat controls surface temperature. Recommended for use in metallic counters. For other surfaces verify that the material is suitable for temperature up to 180°F (82°C). Merco is not responsible for counter damage cause by heat from the warmer.

Flexibility

Ideal for pass-through areas, buffet lines or as a heated work shelf.

Available as flush top or 1/2" (13 mm) recessed models.

A 3' (914 mm) flexible conduit channels the power lines from the shelf to a remote control enclosure. The control

enclosure comes with a control thermostat with a range of 80° to 181°F (27° to 83°C), an illuminated on/off switch and mounting brackets. The attached control enclosure can be mounted remotely up to 3' (914 mm) from the unit. A 6' (1829 mm) cord and plug is attached to easily reach the power source.

The Built-in Thermal Shelf has a 3/4" (19 mm) flanged edge that allows the unit to fit into a countertop opening. The Thermal Shelf is easy to clean with a soft damp cloth or non-abrasive cleaner.

Voltage

All models are 120, single phase only, and feature a NEMA 5-15P plug.

Merco Guarantee:

Merco equipment is guaranteed to be free from quality problems in materials and workmanship for a period of one (1) year from the date of purchase, or eighteen (18) months from the date of shipment from factory, whichever comes first.

Blanket heating elements warranted against burnout for one year.



Models

- TS2-24B
- TS2-30B
- TS2-36B
- TS2-42B
- TS2-48B
- TS2-54B *
- TS2-60B
- TS2-66B *
- TS2-72B

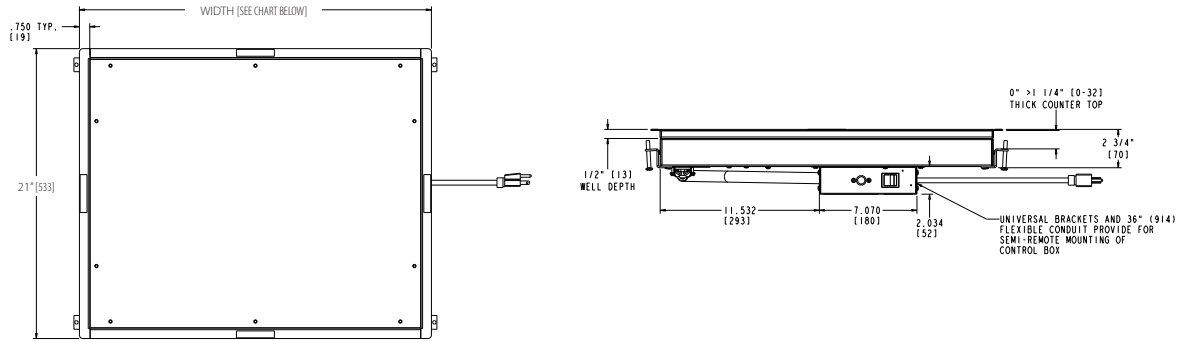


Pizzaovens.com

1.877.FOR.OVEN
367.6836



Since 1999



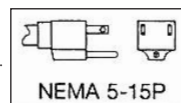
Model	Watts	Width	Interior Width	Shipping Weight
TS2-24B	550	25½" (648 mm)	24" (610 mm)	22 lbs. (10 kg)
TS2-30B	665	31½" (800 mm)	30" (762 mm)	25 lbs. (11 kg)
TS2-36B	780	37½" (953 mm)	36" (914 mm)	29 lbs. (13 kg)
TS2-42B	885	43½" (1105 mm)	42" (1067 mm)	32 lbs. (15 kg)
TS2-48B	1000	49½" (1257 mm)	48" (1219 mm)	36 lbs. (16 kg)
TS2-54B *	1110	55½" (1410 mm)	54" (1372 mm)	43 lbs. (20 kg)
TS2-60B	1220	61½" (1562 mm)	60" (1524 mm)	50 lbs. (23 kg)
TS2-66B *	1330	67½" (1715 mm)	66" (1676 mm)	54 lbs. (25 kg)
TS2-72B	1440	73½" (1867 mm)	72" (1829 mm)	58 lbs. (26 kg)

Models available in either Insert or Flush top. *Not available with Flush Top.

Countertop Cut-Out Dimensions

Model	Min Width	Max Width	Min Depth	Max Depth
TS2-24B	24½" (622mm)	24¾" (629mm)	20" (508mm)	20¼" (514mm)
TS2-30B	30½" (775mm)	30¾" (781mm)	20" (508mm)	20¼" (514mm)
TS2-36B	36½" (927mm)	36¾" (933mm)	20" (508mm)	20¼" (514mm)
TS2-42B	42½" (1080mm)	42¾" (1086mm)	20" (508mm)	20¼" (514mm)
TS2-48B	48½" (1232mm)	48¾" (1238mm)	20" (508mm)	20¼" (514mm)
TS2-54B	54½" (1384mm)	54¾" (1391mm)	20" (508mm)	20¼" (514mm)
TS2-60B	60½" (1537mm)	60¾" (1543mm)	20" (508mm)	20¼" (514mm)
TS2-66B	66½" (1689mm)	66¾" (1695mm)	20" (508mm)	20¼" (514mm)
TS2-72B	72½" (1842mm)	72¾" (1848mm)	20" (508mm)	20¼" (514mm)

Cord Location: End of Remote Enclosure.



- Models
- TS2-24B
 - TS2-30B
 - TS2-36B
 - TS2-42B
 - TS2-48B
 - TS2-54B *
 - TS2-60B
 - TS2-66B *
 - TS2-72B

Designs and specifications subject to change without notice.



Pizzaovens.com

1.877.FOR.OVEN
367.6836



Since 1999