

SCOTSMAN

MODULAR ICE STORAGE BINS

HTB555

VOLUME STORAGE – AMPLE ICE RESERVE

- Holds up to 420 lbs. per ARI standard 820-95.
- Ideal storage companion for Scotsman 30" CME models.

QUALITY CONSTRUCTION

- Polyethylene exterior eliminates rust and corrosion, and prevents unsightly dents and chips.
- Two piece, roto-cast construction provides structural strength to support stacked ice machines.
- Embossed finish hides scratches and provides an easy to clean surface.
- NSF approved materials.
- Non-CFC foam insulation prevents ice meltage, assuring maximum use of ice produced

WARRANTY PROTECTION *See Dealer for complete warranty details.*

- 5 years parts and labor on all components.
- Limited Lifetime Rust Free Warranty On Food Zone.



Bin includes 6" black enamel legs w/ adjustable leveling.



EASY ACCESS

Extra large door opening provides easy access to ice. Unique locking door hinge keeps door up when removing ice.



BIN INTERIOR

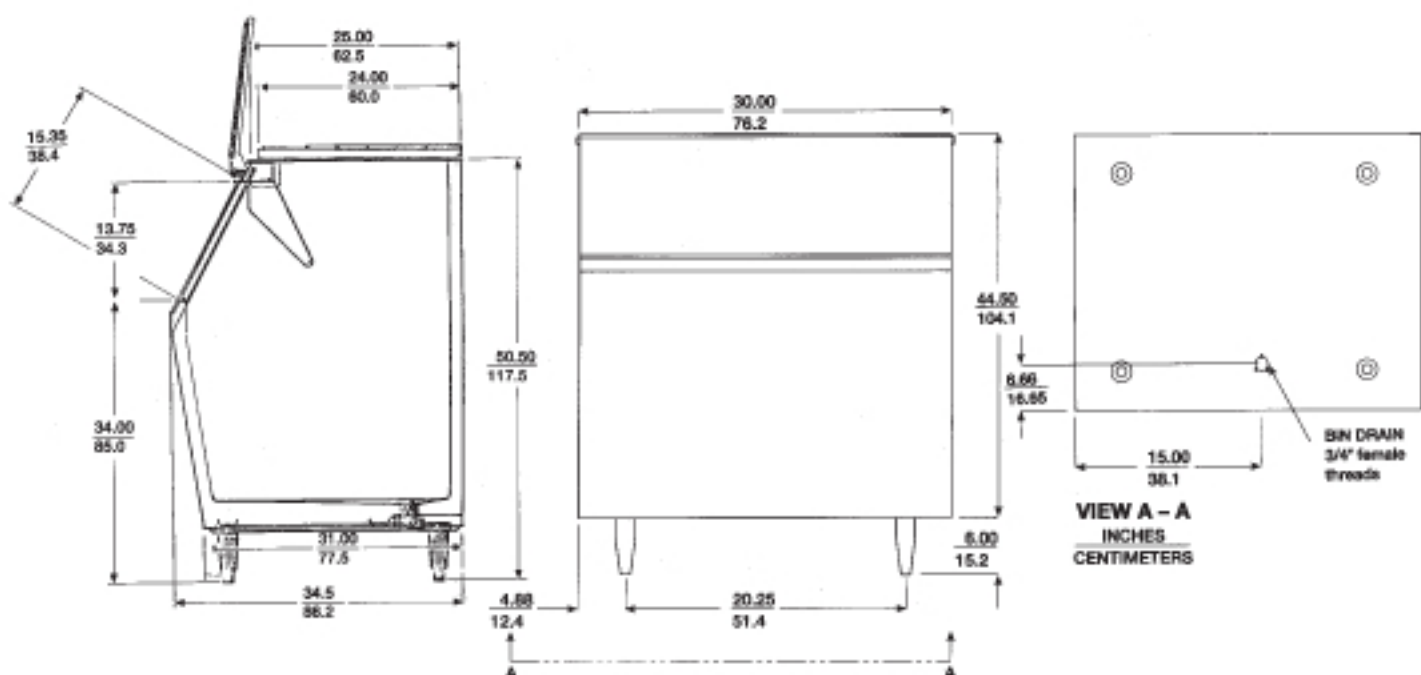
The polyethylene bin interior is sanitary and easy to clean. Resists scratches and scuffs from ice scoops.



Restaurant Equipment Worldwide
Toll Free: 877.FOR.OVEN
International: +1 859.885.1988



Bin Specifications



NOTE: Allow 6" minimum space at back for ice machine ventilation and utility connections.

Model Number	Dimensions W"xD"xH"	ARI Bin Capacity lbs./kg	Application Capacity lbs./kg	Finish*	Ship Weight lbs./kg.
HTB555	30 x 34.5 x 44.5	420/190	535/243	HTB	110/50

Certified & rated in accordance with ARI standard 820-95

* HTB is a low density polyethylene (cabinet and liner) with a grey color.

NOTE: Add 6" height for legs.

ARI storage capacity for bins is based on 90% of total volume in cubic feet x 30 lb./ft³ average density of ice.

Application capacity for bins is based on 90% of total volume in cubic feet x 34 lb./ft³ average density of ice.

Scotsman's ice machines and bins are not designed for outdoor installations. Scotsman remote condensers are designed for outdoor installations.

Machine requires voltage indicated on rating name plate. Failures caused by improper voltage are not considered factory defects. Extended periods of operation at temperatures exceeding limitations constitutes misuse under the terms of Scotsman Manufacturer's Limited Warranty, resulting in a loss of warranty coverage. Specifications and design are subject to change without notice.

Consult Your Local SCOTSMAN Representative At:

Pizzaovens.com
Established 1999

Restaurant Equipment Worldwide
Toll Free: 877.FOR.OVEN
International: +1 859.885.1988

ACCESSORIES

Model Number	Description	Application	Ship. Wt. lbs./kg.
KBT20A	Bin Top	Use with MFE400, NME654, NME954, FME804, FME1204.	25/11
KBT14A	Bin Top	Use with NME654, NME954, FME804, FME1204.	8/4
KLP4	Heavy-duty leg kit	6" aluminum legs & bracket. Must be used when machines are stacked.	25/11
KLP7	Flanged-foot leg kit	6" black enamel legs with flanged feet.	5/2
KBC20	Caster kit	Raises bin 4 7/16". Not to be used when machines are stacked.	20/9

Scotsman