

THE "DEEP UNDERCOUNTER" SERIES
DISTINCTIVELY THE BEST FOR FOOD PRESERVATION AND STORAGE



Pizzaovens.com


1.877.FOR.OVEN
367.6836

Since 1999



Architect's Corner

Model:
TUC-60F-32

- ▶ **Cubic Feet Capacity:**
15.9
- ▶ **Liters:**
450
- ▶ **Exterior Dimensions:**
60¹/₄"L x 32¹/₄"D x 36"H
(154 cm x 82 cm x 92 cm)
- ▶ **Shelving:**
4 wire shelves standard
left: 17¹/₄"W x 28"D
(44 cm x 72 cm)
right: 25⁵/₈"W x 28"D
(66 cm x 72 cm)
- ▶ **H.P.:**
1/2 H.P. compressor
- ▶ **Voltage/Cycles:**
115/60
- ▶ **Amps:**
10.4
- ▶ **Power Cord Length:**
7 foot (2.1 m)
- ▶ **Receptacle:** 
NEMA-5-15R
- ▶ **Crated Weight:**
consult factory

HIGH PERFORMANCE REFRIGERATION, SUPERIOR CABINET CONSTRUCTION,
UNSURPASSED INSULATION

TUC-60F-32 Undercounter Freezer

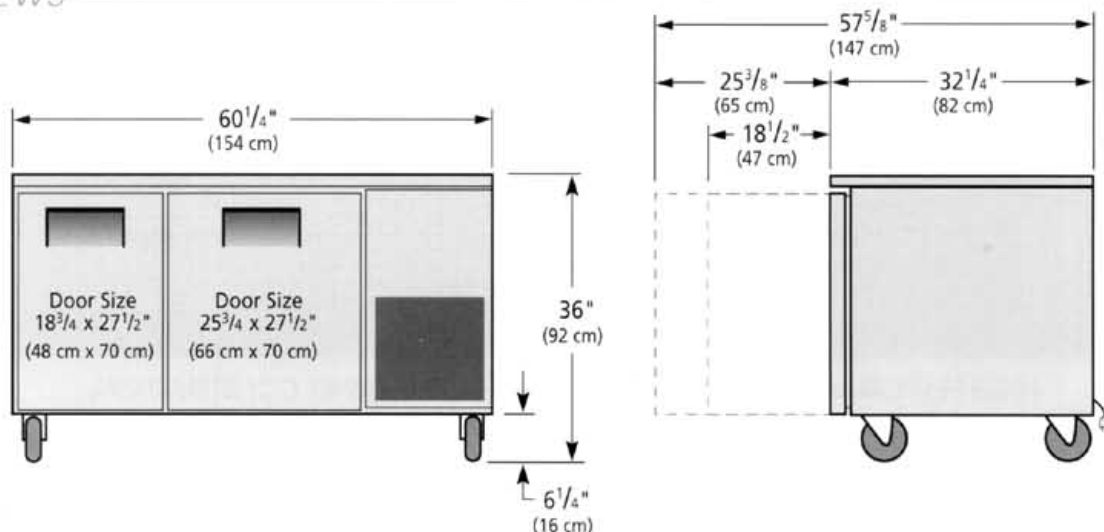
FEATURES/BENEFITS

- DESIGN**
 True's undercounter selection includes the "Deep" series which combined a spacious food preparation area with a large freezer storage compartment. True's TUC-60F-32 unit (right door only) is designed to hold bun half door tray racks for pans up to 18" x 26" (46 cm x 66 cm) not included. True units are known for oversized refrigeration and the "deep" series is no exception. True's undercounter "deep" series is today's foodservice answer for high-volume food preparation and storage.
- OVERSIZED, ENVIRONMENTALLY FRIENDLY (R404A) FORCED-AIR REFRIGERATION SYSTEM**
 Features the combined advantage of convenient undercounter placement with deeper freezer storage. Purposely directed maximum airflow for colder temperatures. Guided airflow provides uniform temperatures in a 360° circle throughout cabin for packaged or unpackaged meats, pizza, frozen vegetables, ice cream and more.
- UNDERCOUNTER FREEZER**
 Slides easily under work counters, maximizes space for frozen food storage in fast food line-up.
- ALL STAINLESS STEEL FRONT, TOP AND SIDES**
 Bright smooth sheen. Built for lifetime durability.
- ALUMINUM FINISHED BACK**
 Minimizes dirt accumulation, provides attractive appearance.
- INTERIOR - NSF APPROVED, WHITE VINYL COATED ALUMINUM SIDES AND TOP, COVED CORNERS AND 300 SERIES STAINLESS STEEL FLOOR**
 Non-rust, peel or chip. Easy to clean. Bright sanitary appearance. Meets all NSF standards.
- FOAMED-IN-PLACE POLYURETHANE HIGH DENSITY CELL INSULATION (CFC FREE)**
 Unsurpassed insulation, extra dense, has highest R factor in the market. Energy efficient.
- RECESSED HANDLES**
 True's recessed handle enhances this popular line aesthetically and is workflow friendly.
- 5" (13 cm) DIAMETER SWIVEL CASTORS STANDARD EQUIPMENT**
 Strong and durable, meets all NSF standards. Legs available.
- ADJUSTABLE VINYL COATED WIRE SHELVES**
 Two, durable, extra deep shelves per door for greater capacity. Heavy-duty, 10 mil thick, pure grade vinyl coating.
- FRONT BREATHING**
 May be aligned side by side with other units.
- SELF-CONTAINED SYSTEM**
 No plumbing required. Simple installation. Equipped with 7 foot (2.1 m) cord.
- POSITIVE SEAL SELF-CLOSING DOORS**
 Factory tested (over 1,000,000 times) lifetime guaranteed door hinges and torsion type closure system.
- DOOR SWINGS WITHIN CABINET DIMENSION**
- HEAVY, 16 GAUGE TOPS AVAILABLE (upcharge applies)**
- ALL HEAVY GAUGE CABINET PACKAGE AVAILABLE (upcharge applies)**
- REMOTE CABINETS AVAILABLE (condensing units supplied by others)**

FREEZER FEATURES

- 10°F TEMPERATURE**
 Ideally suited for both frozen foods and ice cream. Offers more versatility than most freezers.
- LARGER EVAPORATOR COIL HEATER**
 Saves energy with short defrost cycles.
- DEFROST SYSTEM TIME-INITIATED, TEMPERATURE-TERMINATED**
 Saves energy consumption and provides shortest possible defrost cycle.
- AUTOMATIC EVAPORATOR FAN MOTOR DELAY DURING DEFROST CYCLE**
 Prevents warm air from circulating until coil cools down.
- LARGE CONDENSATE PAN**
 Automatically evaporates water.
- MINIMUM WATTAGE HEATER IN CABINET FRAME AND DOOR**
 Eliminates condensation at lowest energy rate.

PLAN VIEWS



WARRANTY

One year warranty on all parts & labor and an additional 4 year warranty on compressor. (U.S.A. only)

METRIC DIMENSIONS ROUNDED UP TO THE NEAREST WHOLE CENTIMETER

SPECIFICATIONS SUBJECT TO CHANGE WITHOUT NOTICE

MADE IN U.S.A.

