

New Maximum Series



Restaurant Equipment Worldwide
Toll Free: 877.FOR.OVEN
International: +1 859.885.1988

Solid Door Refrigerator

REFRIGERATOR MANUFACTURER
Turbo air

Stainless Steel Interior and Front Digitally Controlled Uniform Temperature

* Digitally Controlled Temperature System

Enables temperature control without opening the door.
Freshness of products lasts longer by keeping the correct temperature.

* Efficient Refrigeration System

Turbo Air's solid refrigerators are designed with over-sized evaporators and condensers for faster cooling and greater efficiency.

* Bottom Mount Compressor

All units feature a bottom-mounted compressor for energy savings, high efficiency and easy service.
The bottom-mounted compressor also allows the food to be placed in an ergonomically correct location.

* High-tech Monitor

The unit will beep to warn you if the door has been opened for more than 5 minutes. The monitor digitally display the present temperature.
You can easily adjust the temperature by pressing the up or down button.

* CFC Free

All Turbo Air refrigerators and freezers are foamed in place with high density, close cell, poly-urethane that is CFC free.

* Self-diagnostic System

Shows the status of the unit immediately.

* CEC. California Energy Commission Certificated

* MEA. City of New York Building Department Approved



MSR-23NM



MSR-49NM

Model	Swing Door	CU./FT.	#of Shelves	HP	AMPS	Weight	L D H
MSR-23NM	1	23	3	1/3	3.72	264	26.8 x 31.1 x 77.6
MSR-49NM	2	49	6	1/2	7.0	385	53.9 x 31.1 x 77.6

* Height does not include 5" for caster height.

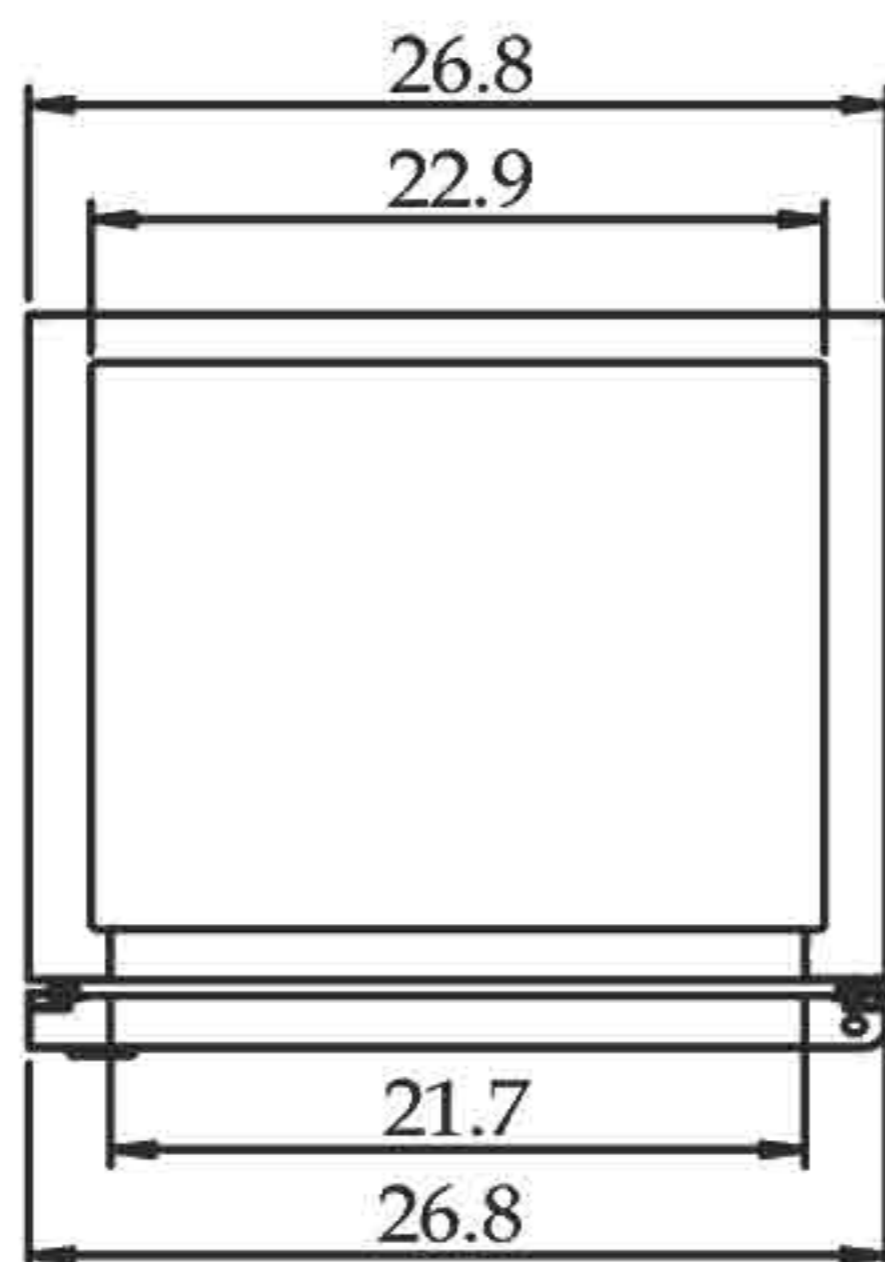
CABINET INTERIOR/EXTERIOR SPECIFICATIONS

ELECTRICAL DATA	MSR-23NM	MSR-49NM
Voltage	115/60-1	115/60-1
Feed Wires (With ground)	3	3
Wattage	550	900
Amperes	3.72 A	7 A
SHIPPING DATA		
Length-Crated (in)	28.3	52.4
Depth-Crated (in)	32.5	32.5
Height-Crated (in)	82.2	82.2
Volume Crated (cu.ft)	43.4	85.2
Net Weight (lbs)	264	385
Weight After Packing (lbs)	290	429
DIMENSIONAL DATA		
# of Doors	1	2
Cubic Feet	23	49
Rack capacity	1	2
Length Overall (in)	26.8	53.9
Depth Overall (in)	31.1	31.1
Height Overall (in) (with caster)	82.8	82.8
Interior Dimension (LxDxH)	22.9x24.2x59.5	50x24.2x59.5
Shelf Size	22x23.1	24.3x23.1
# of Shelves	3	6

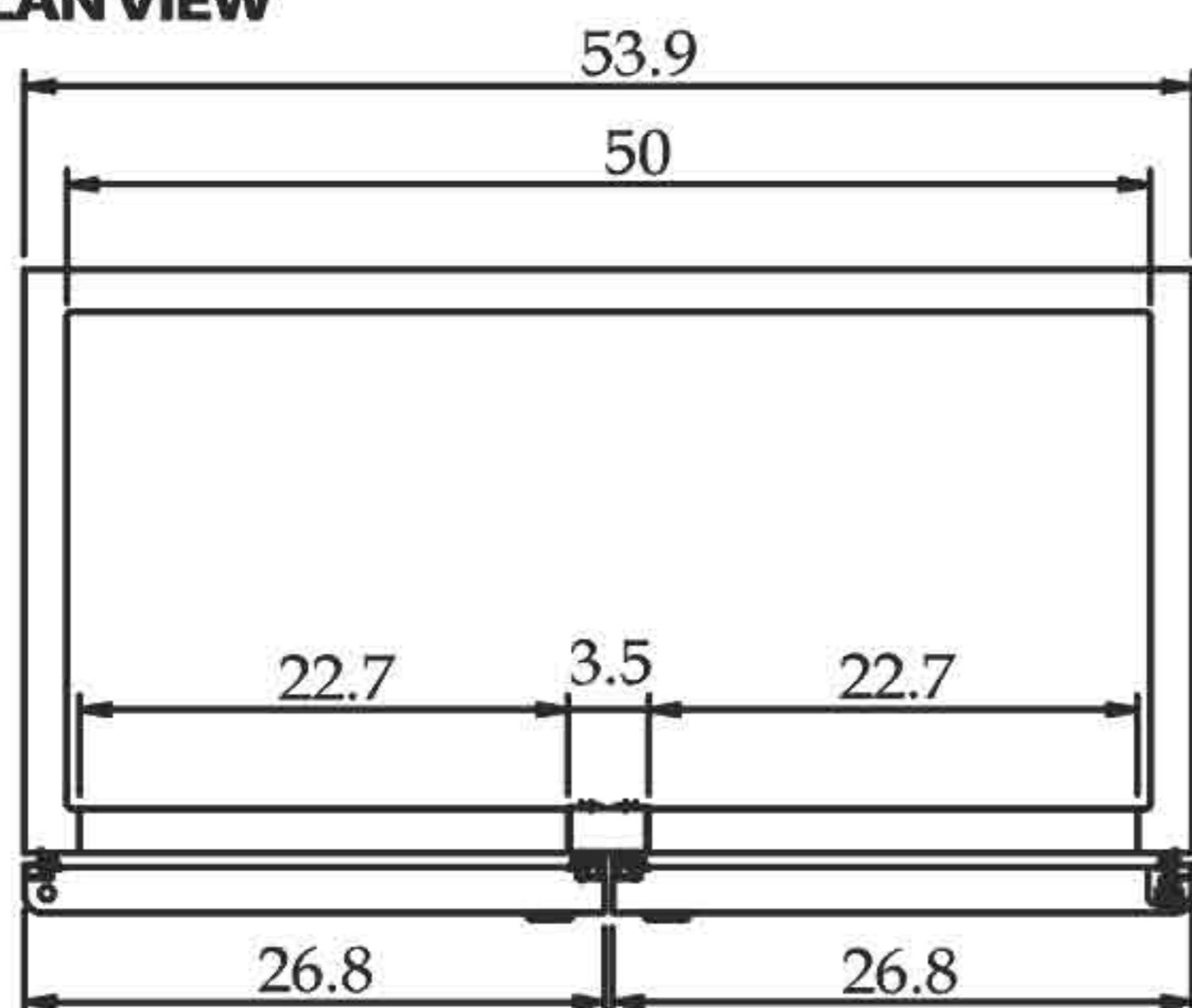
*Design and specifications can be changed without prior notice for product improvement.

- * **Self-contained System**
No plumbing required. Simple installation.
- * **Field Reversible Door (MSR-23NM)**
- * **Refrigerator Hold 33°F~38°F**
- * **Bun Tray Rack Available**
All models are available for full bun tray racks.
- * **Other Features**
 - Solid and sturdy grill design.
 - Minimum wattage heater in the cabinet frame to conserve energy and keep your cabinet water free.
 - Incandescent interior lighting.
 - Positive seal with self closing doors.
 - Automatic evaporator fan motor delay when the door is opened.
 - The defrost systems are time initiated and temperature terminated.
 - Door locks.
 - 4" swivel casters. (standard)
- * **Foamed with polyurethane, high-density cell insulation (CFC free)**

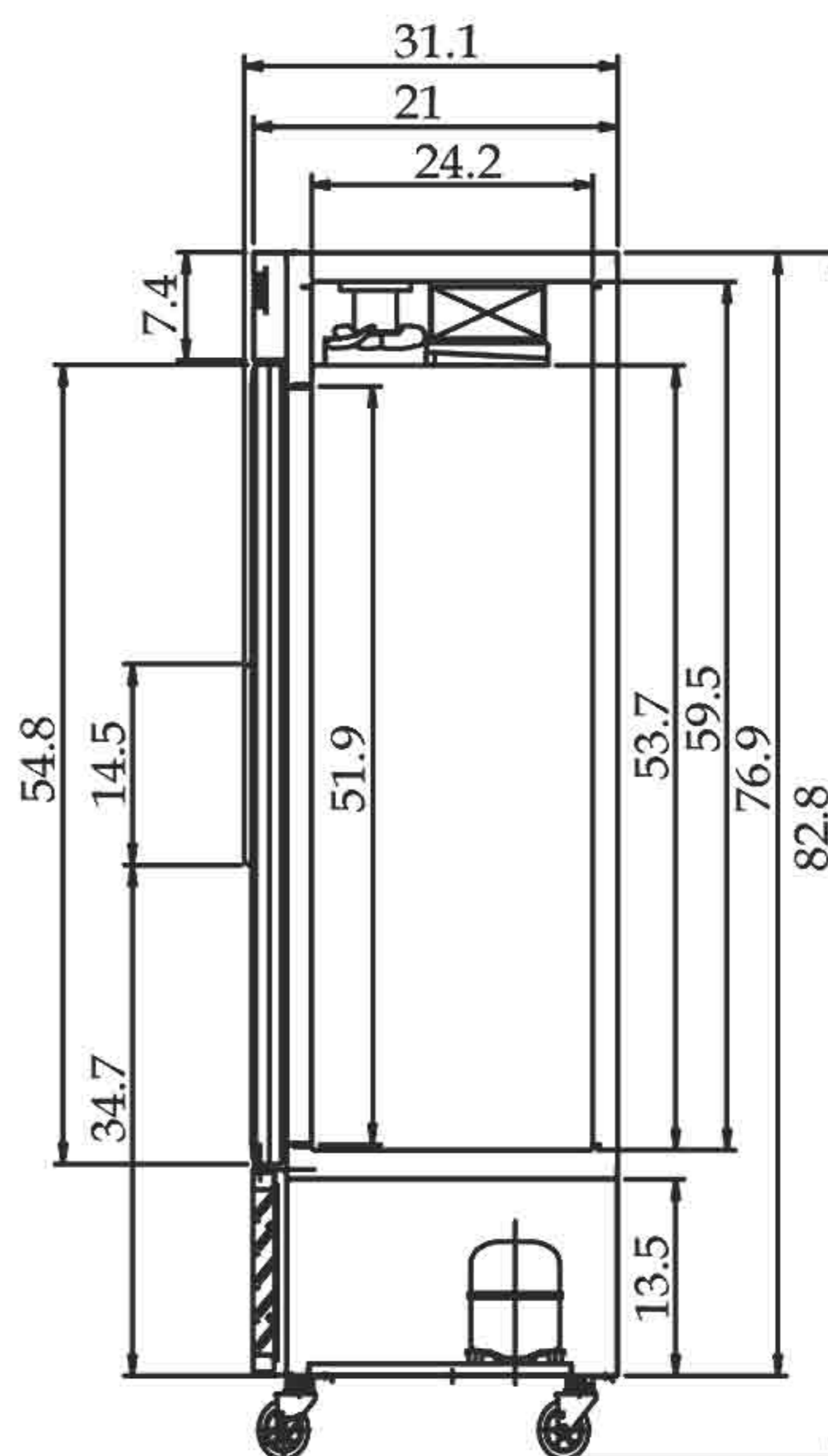
ONE DOOR PLAN VIEW



TWO DOOR PLAN VIEW



(UNIT : INCH)



SOLID DOOR SIDE VIEW