

# Beer Dispensers

## Heavy Gauge All Stainless Steel Counter Top



\* Does not accept casters  
\* Does not include keg couplers

■ **EXCELLENT COOLING SYSTEM**  
Oversized environmentally friendly (R134A) powerful forced-air refrigeration system maintains storage cabinet at constant temperature.

■ **ALL STAINLESS STEEL EXTERIOR FOR SD MODEL**

■ **ATTRACTIVE, WEAR-RESISTANT LAMINATED HEAVY DUTY BLACK VINYL EXTERIOR, STAINLESS STEEL COUNTER (SB MODELS)**

■ **3" DIAMETER STAINLESS STEEL INSULATED BEER COLUMNS**

■ **STAINLESS STEEL INTERIOR FOR EASY CLEANING AND DURABILITY**

■ **DOOR LOCKS STANDARD**

- \* A certificated member of NMSDC
- \* **CEC. California Energy Commission Certificated**
- \* **MEA. City of New York Building Department Approved**

■ **CFC FREE**  
All Turbo Air refrigerators and freezers are foamed-in-place with high density, close cell, polyurethane that is CFC free.

■ **RECESSED HANDLES**

■ **STANDARD BACKGUARD IMPROVES AIRFLOW**

■ **SIMPLE PLUG-IN INSTALLATION**

■ **INCANDESCENT INTERIOR LIGHTING**

■ **HOLDS 33°F ~ 38°F**

■ **18 Months Labor and Parts Warranty for Super Deluxe Series (SD only)**

\* 12 Months Labor and Parts Warranty for SB unit



**CEC**  
**MEA**

Model	Swing Door	1/2 Barrels	HP	AMPS	Weight	L D H
TBD-1SD	1	1	1/4	5.0	210	23.5 x 27.1 x 37
TBD-2SD	2	2	1/3	7.0	276	58.8 x 27.1 x 37
TBD-2SB	2	2	1/3	7.0	276	58.8 x 27.1 x 37
TBD-3SD	2	3	1/3	7.0	298	69.1 x 27.1 x 37
TBD-3SB	2	3	1/3	7.0	298	69.1 x 27.1 x 37

# Beer Dispensers

## CABINET INTERIOR/EXTERIOR SPECIFICATIONS

MODEL	TBD-2SD/2SB	TBD-3SD/3SB
Exterior Dimension(LxDxH)	58.8"x27.1"x37.1"(49.2")	69.1"x27.1"x37.1"(49.2")
Comp.	1/3 HP	1/3 HP
Weight	276lbs	298lbs
Power	115V / 60Hz	115V / 60Hz
Amp.	7.0 A	7.0 A
Cord Length	9.85 Feet	9.85 Feet
Plug-In	NEMA 5-15P	NEMA 5-15P

\*Design and specifications subject to change without notice.



TBD-2SD



TBD-3SD



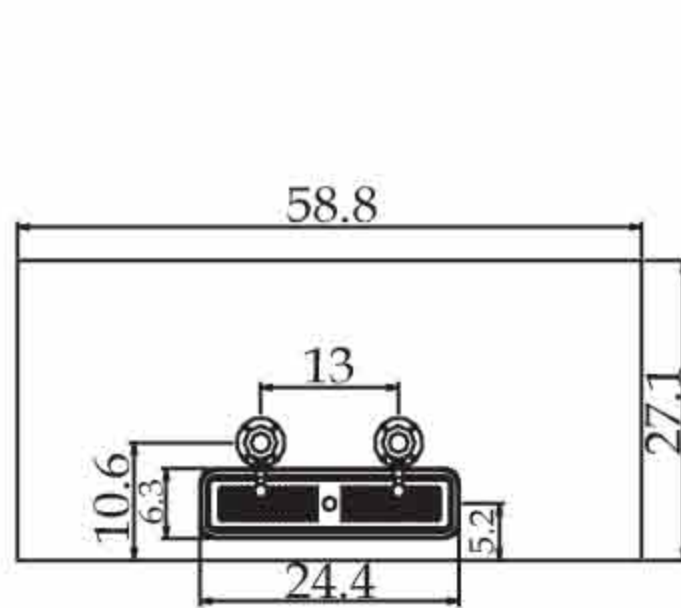
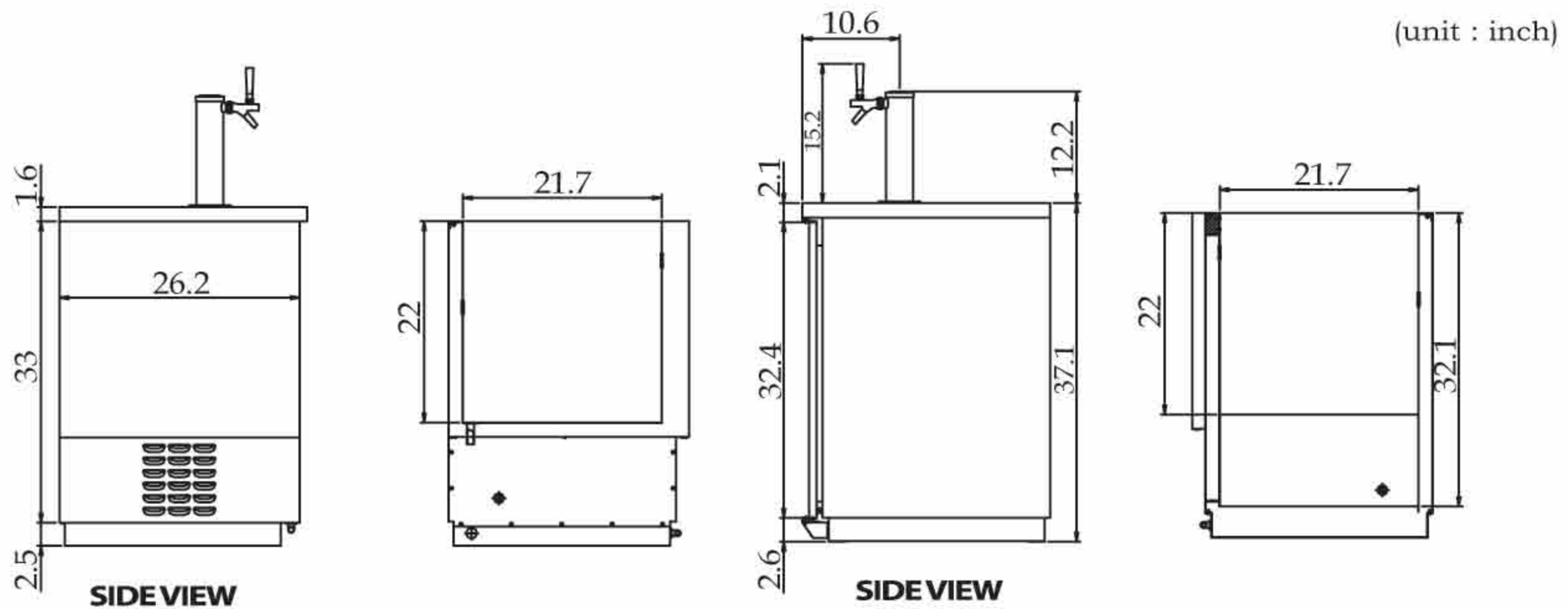
TBD-2SB



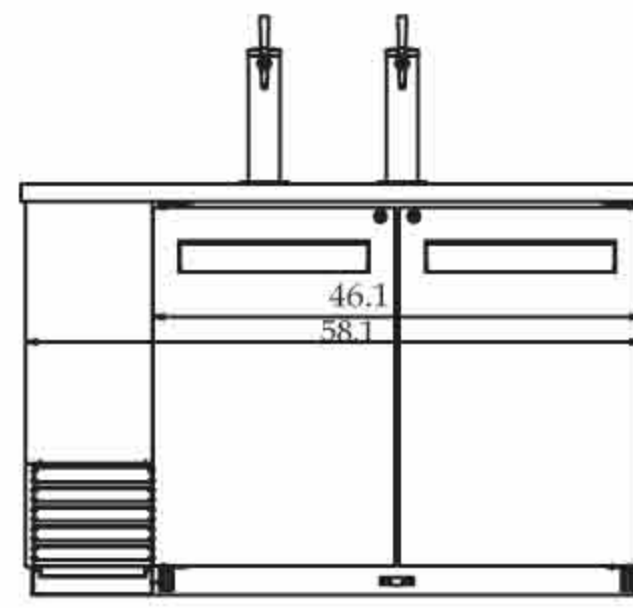
TBD-3SB



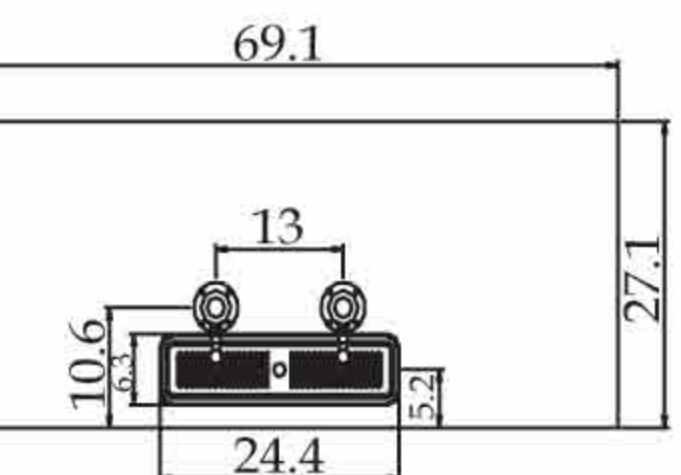
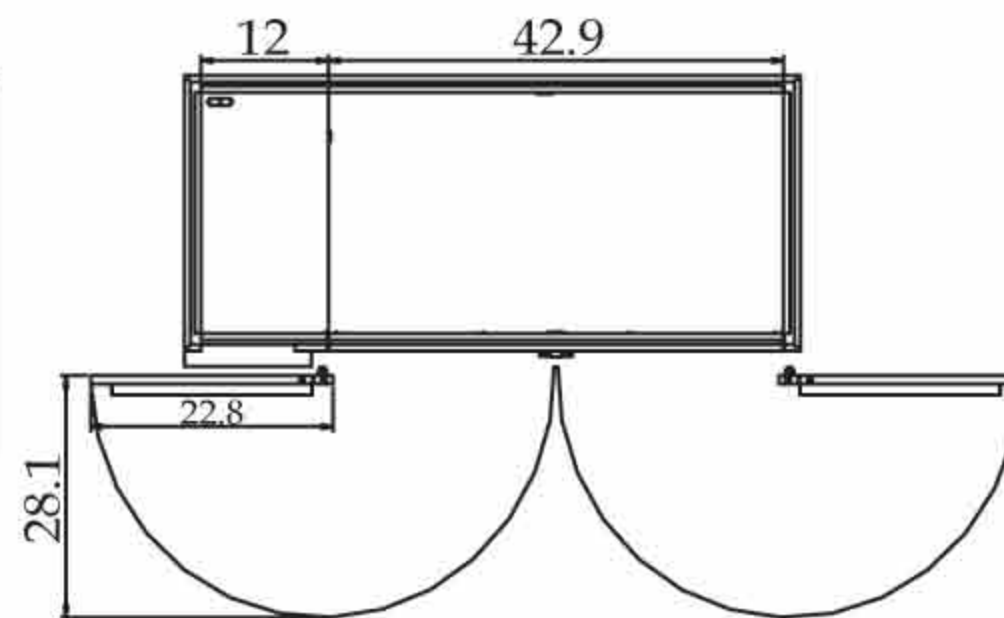
CEC  
MEA



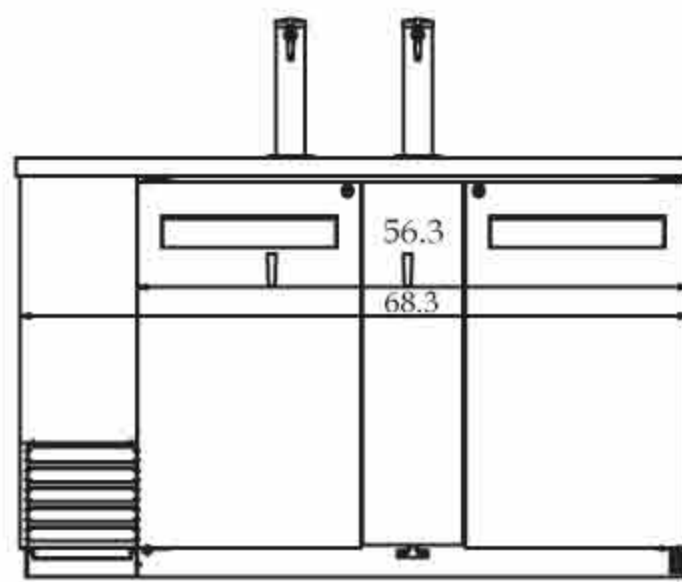
TBD-2SD/2SB PLAN VIEW



TBD-2SD/2SB FRONT VIEW



TBD-3SD/3SB PLAN VIEW



TBD-3SD/3SB FRONT VIEW

