



Glass Door Freezers

CABINET INTERIOR/EXTERIOR SPECIFICATIONS

MODEL	TGF-23F	TGF-49F
Exterior Dimension (LxDxH)	27.0x31.0x83.8	54.4x31.0x83.8
Interior Dimension (LxDxH)	23.0x26.2x60.4	50.5x24.8x60.4
Cubic Feet	23 cu.ft	49 cu.ft
Compressor	3/4 HP	1 1/2 HP
Power	115V 60Hz	115V/220V
Amp	8.2A	11A
Plug-in installation	NEMA 5-15p	NEMA L14-20
Shelves	4EA	8EA
Shelf Size(in)	21.8x22.5	21.8x22.5
Net Weight	375.9lbs	700lbs
Weight after Packing	396.8lbs	745 lbs

*Design and specifications subject to change without notice.



TGF-23F



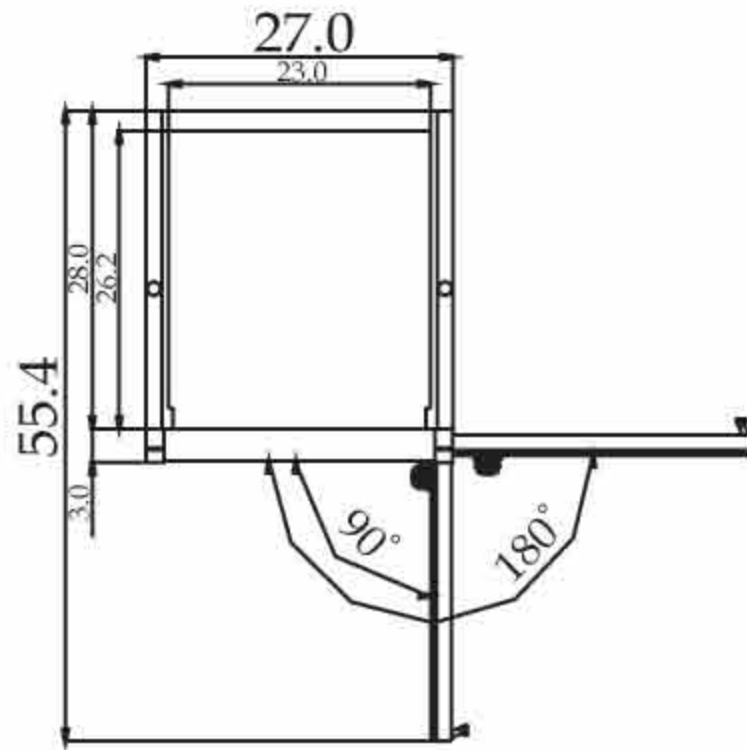
TGF-49F



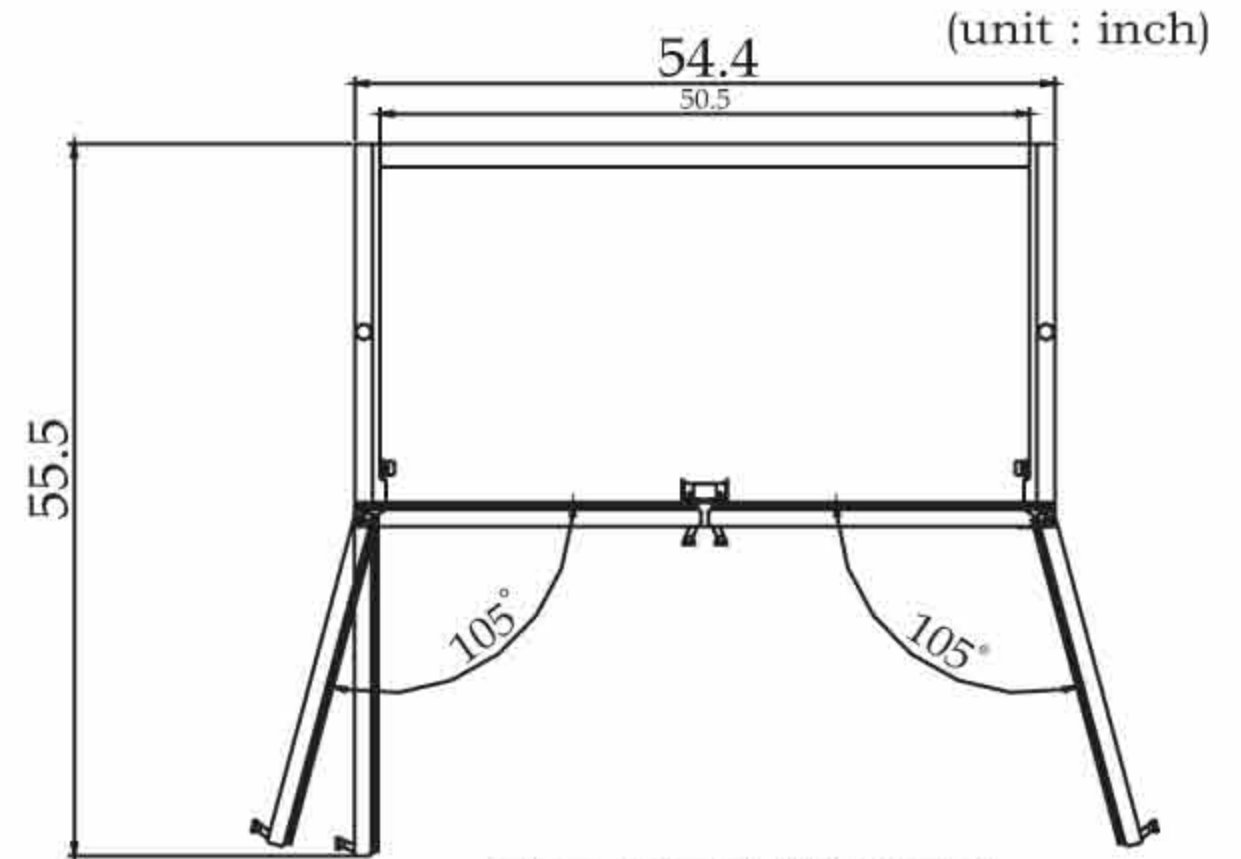
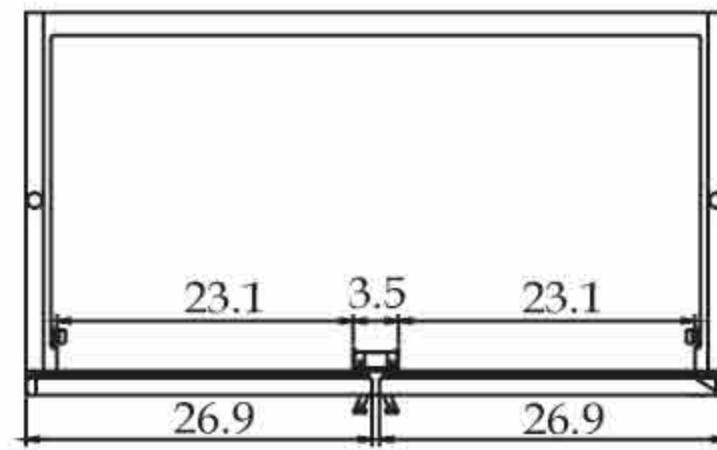
LISTED
COMMERCIAL
REFRIGERATOR
AND/OR FREEZER
43BK



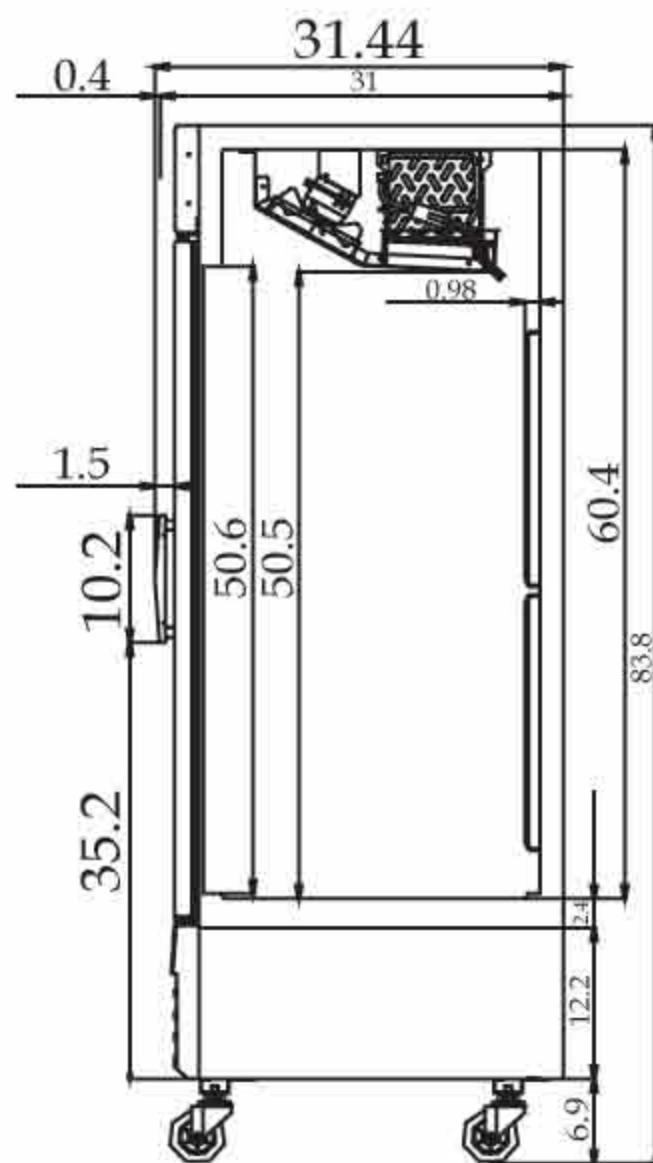
CEC
MEA



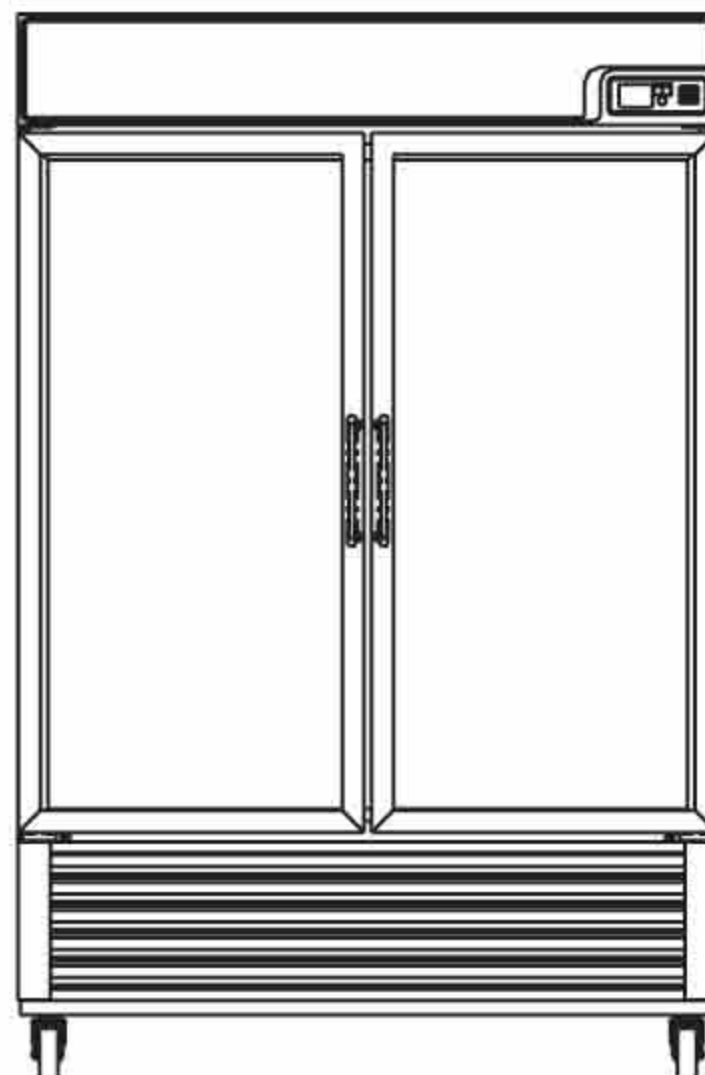
TGF-23F PLAN VIEW



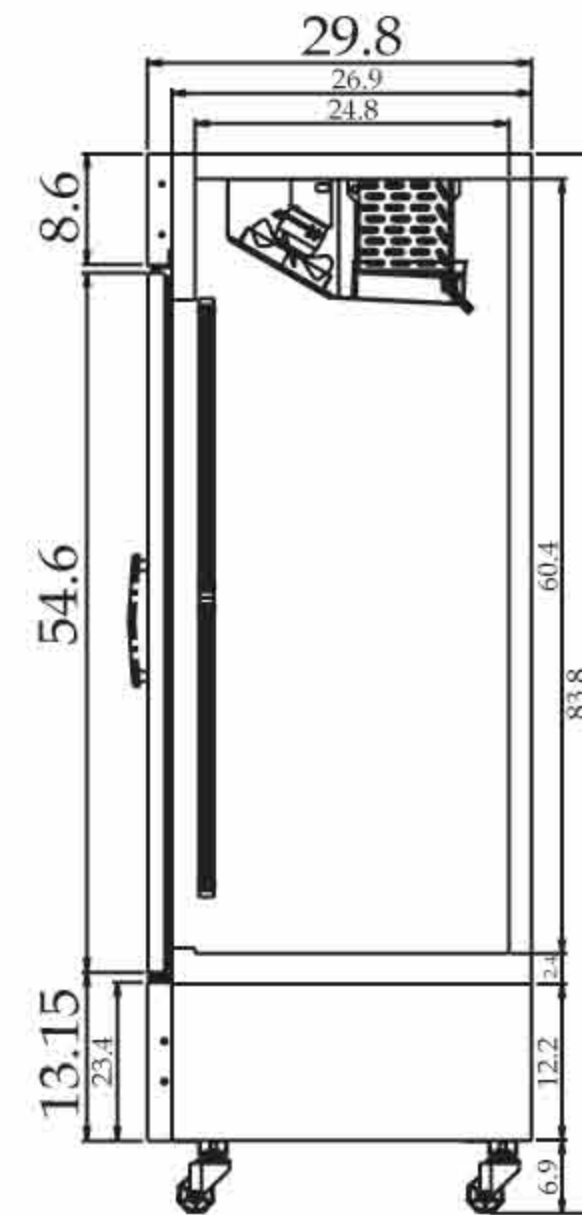
TGF-49F PLAN VIEW



TGF-23F SIDE VIEW



TGF-49F FRONT VIEW



TGF-49F SIDE VIEW