



*Model SX-4-20*

### Specification:

Medium-Duty Range, Model: \_\_\_\_\_, with total BTU/Hr rating of: \_\_\_\_\_, when fueled by natural/propane gas. Finish is to be stainless steel, front and sides. Unit is to have 6" (152mm) legs with adjustable feet.

Oven: Oven door is to be one piece. Oven interior is to be porcelainized with a heavy-duty, "keep cool" door handle. Standard oven to come with a thermostat having tempertaure range from Low to 500°F, (260°C). Oven interior is to have one chrome plated oven rack and two-position rack guides.

Open Burners: are to be 22,000 BTU/Hr per burner, with center pilot, and a one-piece, cast iron top grate over two open burners.

### Standard Features:

- Stainless steel front, sides, 4-1/2" plate rail, and high shelf
- Durable, easy to read control knobs
- 6" (152mm), chrome plated adjustable legs
- Pressure regulator; 3/4" (19mm), rear gas connection
- One year limited warranty on parts and labor. (USA & Canada)

### Standard on Applicable Models:

#### Open Burners

- One-piece, cast iron, lift-off top grate; each 12" (305mm), wide x 25" (635mm), deep
- Octagonal burners with center pilot; 22,000 BTU/Hr per burner
- Large capacity, removable, aluminized drip pan

#### Oven

- 20 1/4" wide x 22" deep x 13 1/2" high interior, (514mm x 559mm x 343mm)
- Aluminized steel burner, rated 25,000 BTU/Hr
- Thermostat with temperature range of Low to 500°F, (260°C)
- Two-position oven rack guides
- One chrome plated oven rack
- Porcelainized oven interior, (excluding top)
- Strong, keep-cool oven door handle

### Optional Features:

- Interconnecting gas line to range-mounted cheesemelter
- Stainless steel, 5" (127mm), stub back
- Extra oven racks
- 6" stainless steel legs
- Flanged feet
- Casters; 6" (152mm), swivel casters, set of four; two locking
- Open-cabinet storage base, (replaces oven)





Item #: \_\_\_\_\_

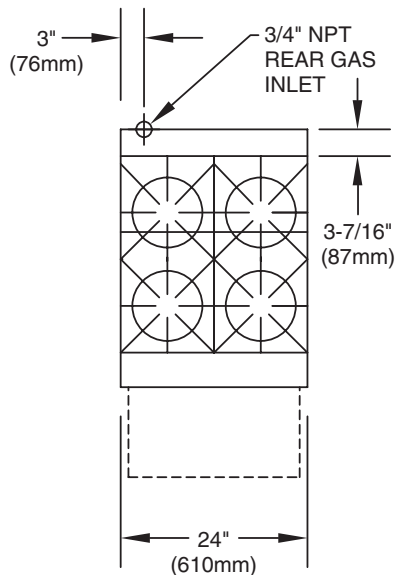
Model: SX-(24)

Product Name: SunFire Series 24" Range

Model Number	Description	Total BTU/Hr	Shipping Information		
			Lbs.	Kg	Cube
SX-4-20	Four Open Burners w/20" Oven	113,000	350	159	26.0
SX-4	Four Open Burners w/open storage	88,000	275	125	26.0

**Specifications:**

Width	Depth	Height		Space Saver Oven Interior			Combustible Wall Clearance	
		w/Legs	w/o Legs	Height	Depth	Width	Sides	Rear
24" (610mm)	33-1/8" (841mm)	38-1/2" (978mm)	32-1/2" (826mm)	13-1/2" (343mm)	22" (559mm)	20-1/4" (514mm)	9" (229mm)	6" (152mm)

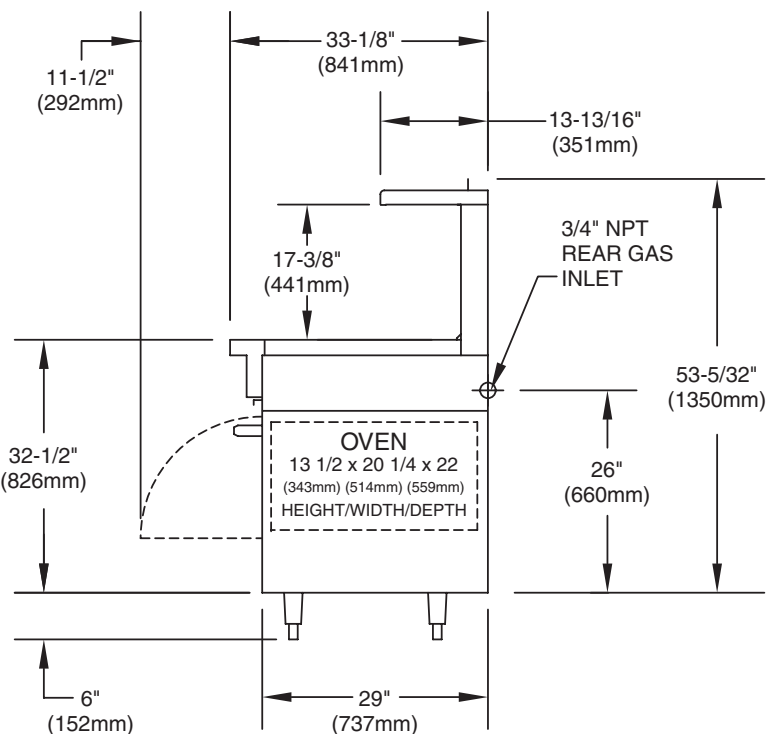
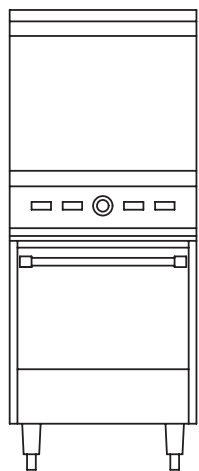


- These appliances are intended for commercial use by professionally trained personnel.
- It is the responsibility of the installer to ensure that installation complies with all national and local codes.

Burner Ratings (BTU/Hr)	
Open	Oven
22,000	25,000

Operating Pressure	
Natural	Propane
4.5" WC	10.0" WC

Entry Clearances	
Crated	Uncrated
30" (762mm)	25" (635mm)



SunFire Series 24" Range

