



IG-409C



Standard features include baskets, basket dividers, thermometer and lock.

MB COLDIN[™]

IG-C SERIES

Curved Lid Display Freezers

MODELS

- IG 209C
- IG 309C
- IG 409C
- IG 509C
- IG 609C

FEATURES

CONSTRUCTION

- Pre-painted steel exterior
- Stucco aluminum interior
- Heavy-duty 2¹/₂" casters
- Aluminum extrusion top frame
- Defrost water drain
- The unobtrusive frame around the heated glass lids ensures a highly visible display
- Curved top lids afford maximum product view
- Lids contain heated safety glass
- Low energy consumption

- 2³/₈" insulation in sides, 2" in bottom

REFRIGERATION

- Refrigerant: R-134a
- Temperature range: 12° to -8°F (-11° to -22°C)
- R-factor (insulation efficiency rating): 17.24

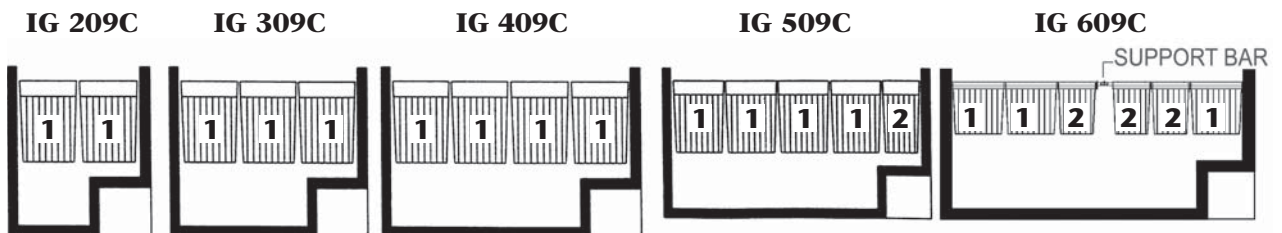
WARRANTY

- Standard limited four year extended compressor and one year limited parts and labor

OPTIONS

- Additional baskets and dividers
- Lighted canopies
- Sneeze guards

STANDARD BASKET CONFIGURATIONS



1 = Basket with dimensions of 11¹/₄"W x 21³/₄"D x 13¹/₈"H (includes one vertical divider and one horizontal divider)
2 = Basket with dimensions of 8¹/₄"W x 21³/₄"D x 13¹/₈"H (includes two horizontal dividers)

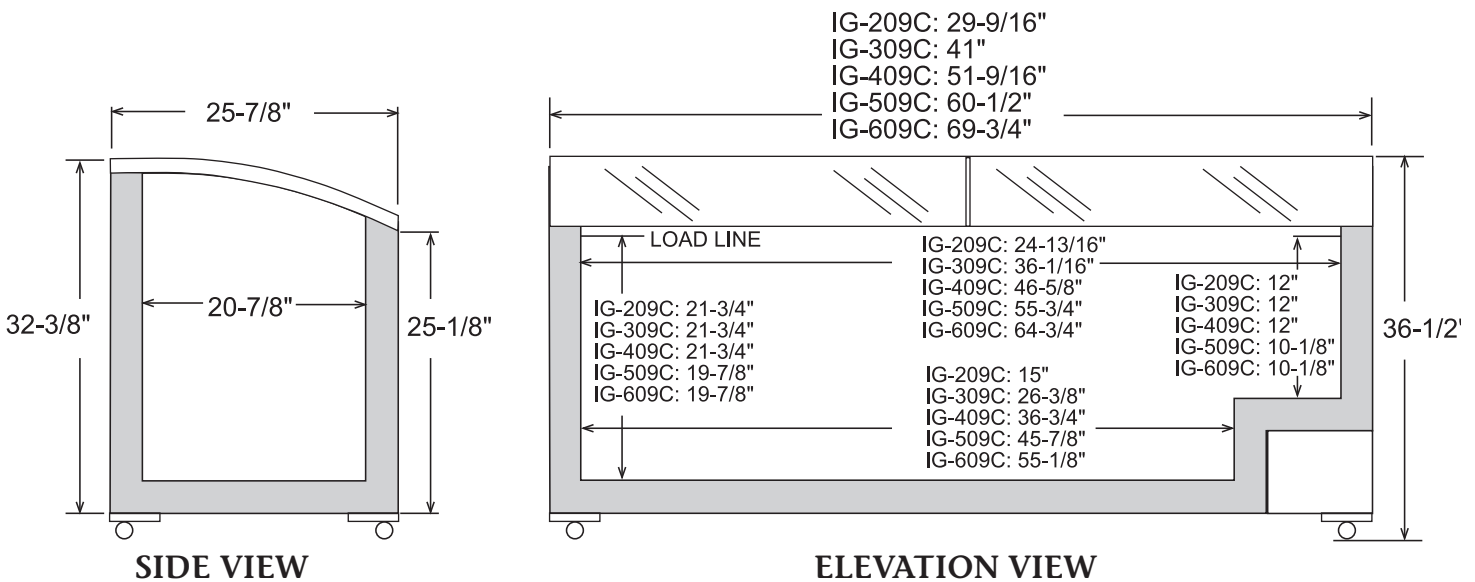


COLDIN™ IG-C SERIES CURVED LID DISPLAY FREEZERS

TECHNICAL SPECIFICATIONS

MODEL	DIMENSIONS (in.)			DIMENSIONS (mm)			VOLTS	AMPS	UNIT H.P.	INTERNAL VOLUME AT LOAD LINE CU. FT.	SHIP CU. FT.	SHIP WT. LB/KG
	L	D	H	L	D	H						
IG 209C	29 ⁹ / ₁₆	25 ⁷ / ₈	36 ¹ / ₂	751	657	927	115	3.4	1/4	5.0	19.4	99/45
IG 309C	41	25 ⁷ / ₈	36 ¹ / ₂	1041	657	927	115	3.7	1/4	7.8	26.3	128/58
IG 409C	51 ⁹ / ₁₆	25 ⁷ / ₈	36 ¹ / ₂	1310	657	927	115	5.6	1/4	10.4	34.1	136/62
IG 509C	60 ¹ / ₂	25 ⁷ / ₈	36 ¹ / ₂	1537	657	927	115	6.0	1/2	11.5	39.5	183/83
IG 609C	69 ³ / ₄	25 ⁷ / ₈	36 ¹ / ₂	1772	657	927	115	6.0	1/2	13.6	44.2	202/92

HIGH AMBIENT SPECIFICATIONS AVAILABLE ON REQUEST.



LISTINGS



HOOKUP

Via plug in, 6¹/₂ foot long, flexible 3 wire 18/3 cord with molded plug.



BID SPECIFICATIONS

Item no. IG-_____C
 Provide _____ () Curved Lid Display Freezer(s) Master-Bilt model IG-_____C.

Freezer to be constructed of a pre-painted steel exterior with stucco aluminum interior. Sides of freezer will contain 2³/₈" insulation with 2" insulation in bottoms. Freezer

to be furnished standard with baskets, basket dividers, thermometer and lock. Additionally, it will be provided with heavy-duty 2¹/₂" casters, an aluminum extrusion top frame and a defrost water drain. Lids will contain heated safety glass.

Refrigeration system will use R-134a refrigerant. The temperature range will be

12° to -8°F (-11° to -22°C).

Freezer to have standard limited four year extended compressor warranty and one year limited parts and labor. Freezer to be UL, C-UL and NSF listed.

NOTE: Cabinet designed for optimum performance in air-conditioned area at 75°F ambient and 55% relative humidity. All specifications subject to change without notice.

