



MODEL CR 2/PC-6

THE COMPLETE BAKING CENTER

EXTREMELY ENERGY EFFICIENT

Oven Features:

- 7-1/2" Crown Height
- Heating elements warranted for life of unit
- Gentle circulating air
- Fully gasketed glass doors
- Brightly lighted
- Gleaming Stainless Steel inside and out
- Solid State Timer
- Heavily insulated
- Extra heavy-duty construction and electrical components
- 450° Solid State Thermostat with Electronic Heat Probe

Proofer Features:

- Fully gasketed glass doors
- Visible trouble-free humidity pan (manual fill)
- Stainless Steel Finish
- Dependable Infinite Humidity Control
- Thermostatically Controlled Heat

Oven Capacity:

- 4 Half-size pans 13" x 18"
OR
- 2 Full-size pans 18" x 26"

Proofer Capacity:

- 6 Full-size pans 18" x 26"
(12 Half-size pans)

Cooling Rack Capacity:

- 6 Full-size pans 18" x 26"
(12 Half-size pans)
- 4 - 1 lb. Strap Bread Pans

Options:

- Thermo Pane Doors
- Automatic Fill Humidity
- Steam Injection



MADE IN USA

SPECIFICATIONS

CR 2/PC-6

Oven Interior Dimensions:

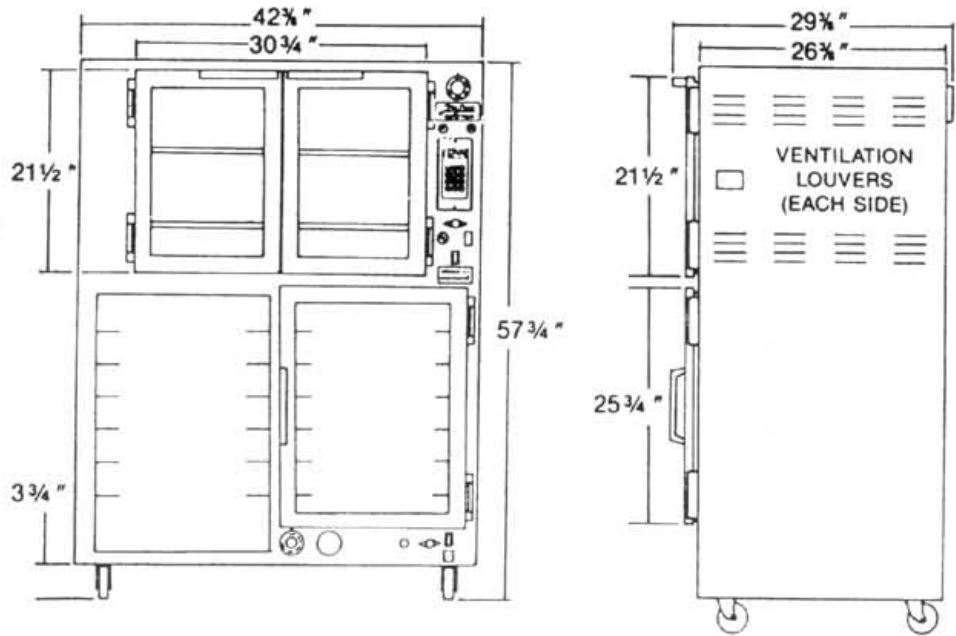
- 28" Width
- 24" Depth
- 20" Height

Proofer Interior Dimensions:

- 20" Width
- 28" Depth
- 30" Height

Exterior Dimensions:

- 42 3/8" Width
- 29 3/8" Depth
- 57 3/4" Height with Casters



ALLOW 2" MINIMUM VENTILATION CLEARANCE - RIGHT AND LEFT HAND SIDE

ELECTRICAL

CR 2 Oven: 3520 watts • 3.5 kw PC-6 Proofer: 1800 watts • 1.8 kw

MODEL#	VOLTAGE AND PHASE	NEUTRAL	TOTAL LOAD(AMPS)	CONNECTION TYPE
CR 2 OVEN	120-1-60	REQUIRED	31.0	NO CORD
	120/208-1-60	REQUIRED	18.0	NO CORD
	120/240-1-60	REQUIRED	16.0	NO CORD
	120/208-3-60	REQUIRED	12.0	NO CORD
	120/240-3-60	REQUIRED	10.0	NO CORD
PC-6 PROOFER	120-1-60	REQUIRED	15.0	6' POWER CORD

**Please Specify Electrical Requirements When Ordering

WARRANTY

One Full Year on all parts from date of purchase.
Heating Elements warranted for life of unit.

SHIPPING

Approximately 305 lbs. F.O.B. Bradenton, Florida

MODEL
CR 2/PC-6

THE COMPLETE BAKING CENTER

DELUXE
EQUIPMENT COMPANY, INC.



Pizzaovens.com

1.877.FOR.OVEN
357.6836

Since 1999