



*Model CPO-ED-24H
(shown with optional legs)*

Specification:

Garland Model Number CPO-ED-24H, electric counter top double pizza oven. Compact 26"W x 28-7/8"D size includes a total of four decks with hearths. Stainless steel exterior. 650°F, (343° C) adjustable electromechanical thermostat and two mechanical 15-minute timers. 208 or 240 volt, single or three phase, (please specify).

Ideal for pre-baked and fresh dough pizza.

Standard Features:

- Incoloy tubular heating elements, (total 7200 Watts)
- 650°F, (343°C), adjustable, electro-mechanical thermostats, one per oven cavity
- One fifteen minute mechanical timer per oven cavity
- 3" crown heights
- Oven ready light indicates oven has reached selected temperature, one per oven cavity
- 1½" thick insulation in walls, top, and doors
- 2 removable baking hearths per oven cavity
- All stainless steel finish
- Standard with 6-ft. (1.8m) long cord and plug (single-phase models only)
- 208 or 240 volts, single or three phase (please specify)
- One-year parts and labor warranty

Optional Features:

- 4" adjustable legs
- 60-minute timers

Capacity:

- Four (4) 20" pre-baked crust or fresh dough pizzas, (not designed for pan pizza)



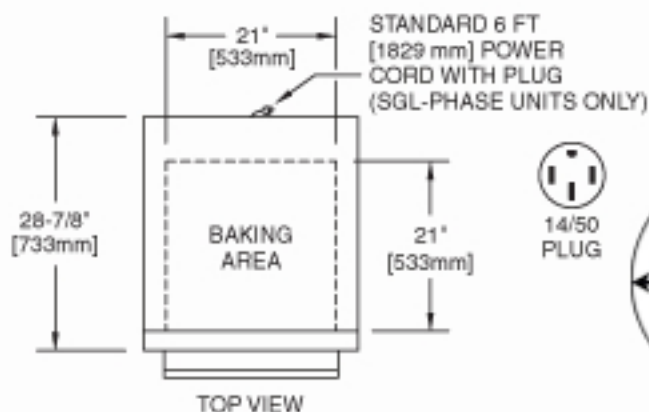
Restaurant Equipment Worldwide
Toll Free: 877.FOR.OVEN
International: +1 859.885.1988



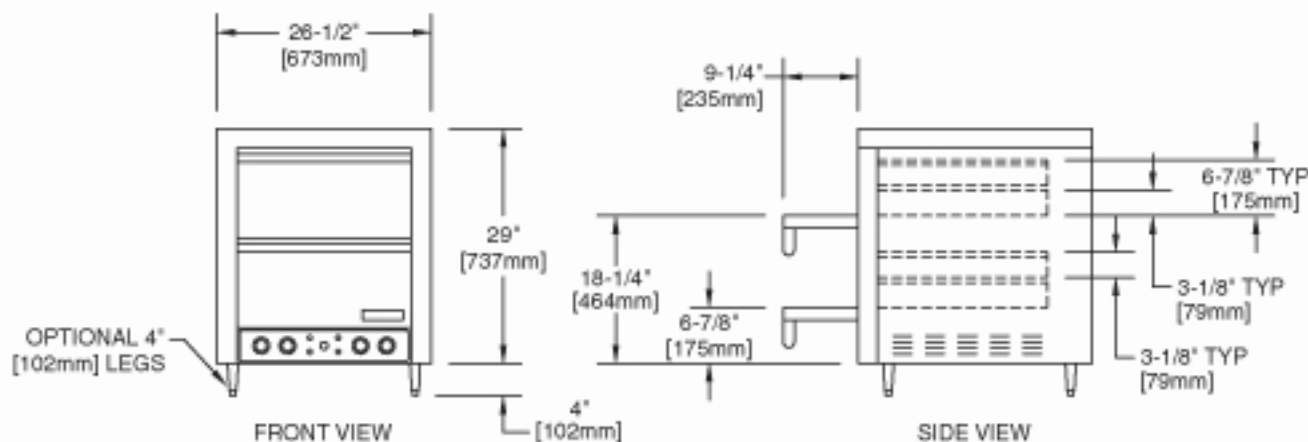
Item #: _____

Model: CPO-ED-24H

Product Name: Electric Counter Top Double
Pizza Oven w/4 Hearths



Restaurant Equipment Worldwide
Toll Free: 877.FOR.OVEN
International: +1 859.885.1988



Electrical Specifications

Voltage	Phase	kW	Nominal Amperes Per Line			NEMA Plug	Connection Type
			L1	L2	L3		
208	1	7.2	34.6	34.6	---	14-50P	6' Line Cord
240	1	7.2	32.6	32.6	---	14-50P	6' Line Cord
208	3	7.2	30.0	17.3	17.3	---	Terminal Block
240	3	7.2	28.3	16.3	16.3	---	Terminal Block

Clearances			
Installation		Entry	
Sides	Rear	Crated	Uncrated
1" (25mm)	1" (25mm)	32" (813mm)	27-1/2" (699mm)