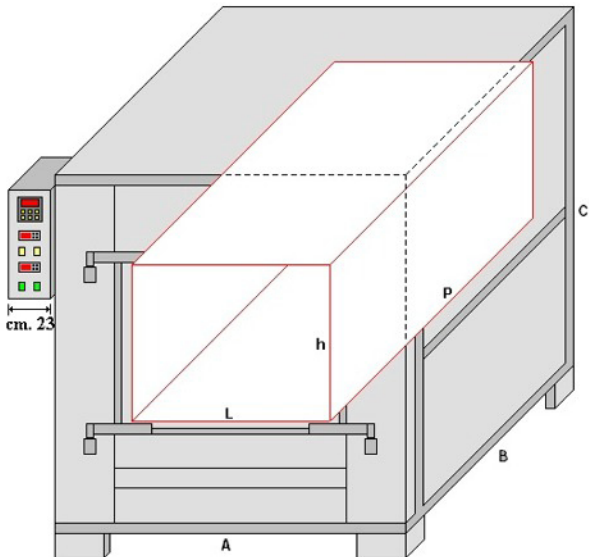


Rosty Ariccia-E



Restaurant Equipment Worldwide
Toll Free: 877.FOR.OVEN
International: +1859.885.1988

MOD.	DIMENSIONS cm		COOKING CAPACITY		TEMPERATURE Max	POWER USED Kw
	Chambers L x P x h	Exterior A x B x C	Removable trolley	Spit/Spit		
Rosty ES/E	120x180x70	170x210x205	1 o 2	3	300°C	20
Rosty ES/F	140x180x70	190x210x205	1 o 2	3	300°C	23
Rosty ES/G	140x230x70	190x260x205	1 o 2	3	300°C	27