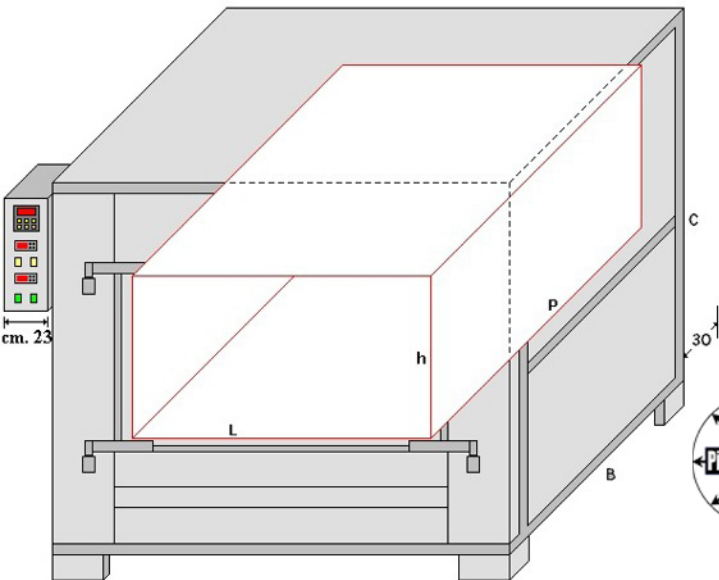


# Ariccia-G



Restaurant Equipment Worldwide  
Toll Free: 877.FOR.OVEN  
International: +1859.885.1988

MOD.	DIMENSIONS cm		COOKING CAPACITY		TEMPERATURE Max	POWER USED Kcal/h	
	Chambers L x P x h	Exterior A x B x C	Removable trolley	Spit/Spit		Min	Max
Rosty GV/A	120x180x70	170x210x205	1 o 2	3	300°C	23.000	57.000
Rosty GV/B	140x180x70	190x210x205	1 o 2	3	300°C	23.000	57.000
Rosty GV/C	140x230x70	190x260x205	1 o 2	3	300°C	23.000	57.000