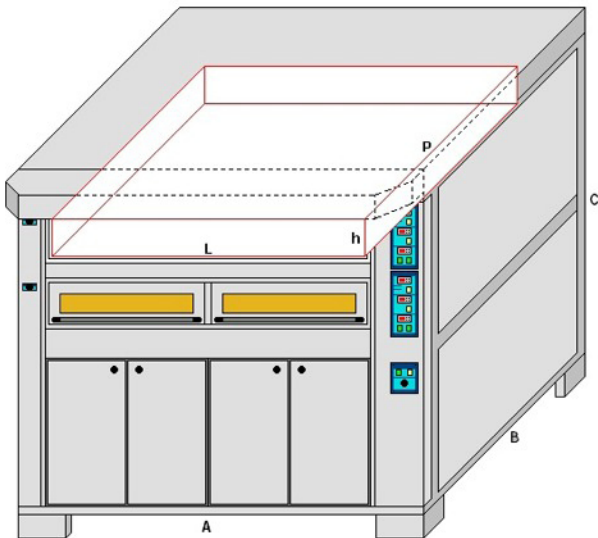


Linea Pane 2



Restaurant Equipment Worldwide
Toll Free: 877.FOR.OVEN
International: +1 859.885.1988



MOD.	DIMENSIONS cm		COOKING CAPACITY		TEMPERATURE Max	POWER USED Kw
	Chambers L x P x h	Exterior A x B x C	Surfaces mq	Trays cm 40 X 60		
LINEA P2/A	85x185x20	140x220x190	3,70	12	350°C	18
LINEA P2/B	125x185x20	180x220x190	4,55	18	350°C	23
LINEA P2/C	185x205x20	240x240x190	7,58	30	350°C	37
LINEA P2/D	185x250x20	240x290x190	9,15	36	350°C	45