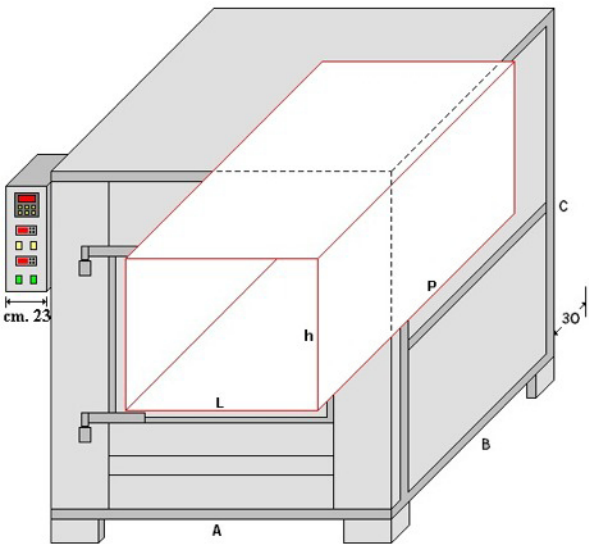


# Rosty G Gas Oven



Restaurant Equipment Worldwide  
Toll Free: 877.FOR.OVEN  
International: +1859.885.1988

MOD.	DIMENSIONS cm		COOKING CAPACITY		TEMPERATURE Max	POWER USED Kcal/h	
	Chambers L x P x h	Exterior A x B x C	Removable trolley	Spit/Spit		Min	Max
					Rosty GS/A	60x160x70	110x190x175
Rosty GS/B	60x180x70	110x210x175	1	1	300°C	10.000	32.000
Rosty GS/C	70x180x70	120x210x175	1	1	300°C	10.000	32.000
Rosty GS/D	90x180x70	140x210x175	1 o 2	2	300°C	23.000	57.000