

OVENS

VULCAN**VC6E SERIES
SINGLE DECK, DEEP DEPTH
ELECTRIC CONVECTION OVENS**

Model VC6ED
Shown with optional casters

**SPECIFICATIONS**

Single section, deep depth electric convection oven, Vulcan-Hart Model No. (VC6ED) (VC6EC). Stainless steel front, sides and top. Painted legs. Independently operated stainless steel doors with double pane windows. Non-sag insulation applied to the top, rear, sides, bottom and doors. Porcelain enamel on steel oven interior measures 29"w x 26 $\frac{1}{8}$ "d x 20"h. Two interior oven lights. Five nickel plated oven racks per section measure 28 $\frac{1}{4}$ " x 24 $\frac{1}{2}$ ". Eleven position nickel plated rack guides with positive rack stops. Heated by electric solid sheath elements rated at 12 KW. Furnished with a two speed $\frac{1}{2}$ H.P. oven blower-motor. Oven cool switch for rapid cool down. 208 or 240 volt, 60 Hz, 1 or 3 phase.

Exterior Dimensions:

40 $\frac{1}{4}$ "w x 45 $\frac{1}{8}$ "d (includes motor & door handles) 41 $\frac{3}{4}$ "d (includes motor only) x 56 $\frac{3}{4}$ "h on 25 $\frac{3}{4}$ " legs.

NSF listed. UL listed. UL listed to Canadian safety standards.

- VC6ED** Solid state temperature controls adjust from 150° to 500°F. 60 minute timer with audible alarm.
- VC6EC** Computer controls with digital time and temperature readouts. 99-hour timer with audible alarm. Roast and Hold cycle. One hundred programmable menu selections. Shelf I.D. programming.

STANDARD FEATURES

- Stainless steel front, sides and top.
- Painted legs.
- Independently operated stainless steel doors with double pane windows.
- 12.5 total KW.
- $\frac{1}{2}$ H.P. two speed oven blower-motor.
- Moisture vent damper control.
- Oven cool switch for rapid cool down.
- Porcelain enamel on steel oven interior.
- Five nickel plated oven racks with eleven rack positions.
- One year limited parts and labor warranty.

OPTIONS

- Complete prison package.
 - Security screws only.
- Stainless steel legs.
- Casters.
- Simultaneous chain driven doors.
- 480V/60 Hz/1 or 3 phase.
- Second year extended limited parts and labor warranty.

ACCESSORIES

- Stainless steel rear motor enclosure.
- Extra oven rack(s).
- Rack hanger(s).
- Stainless steel drip pan.
- Stainless steel open stand with adjustable rack supports, stainless steel shelf and choice of adjustable feet or casters.
- Down draft flue diverter for direct vent connection.

VULCAN

a division of ITW Food Equipment Group LLC

P.O. Box 696 ■ Louisville, KY 40201 ■ Toll-free: 1-800-814-2028 ■ Local: 502-778-2791 ■ Quote & Order Fax: 1-800-444-0602



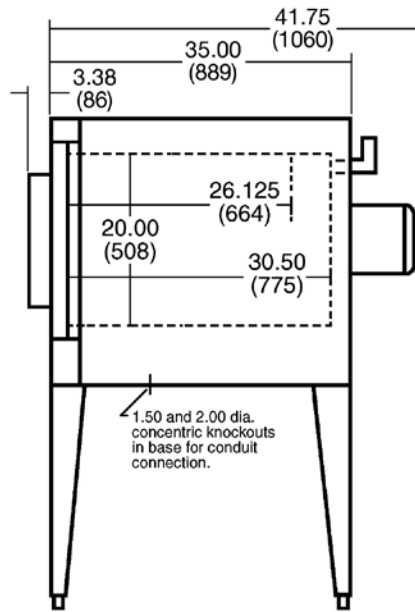
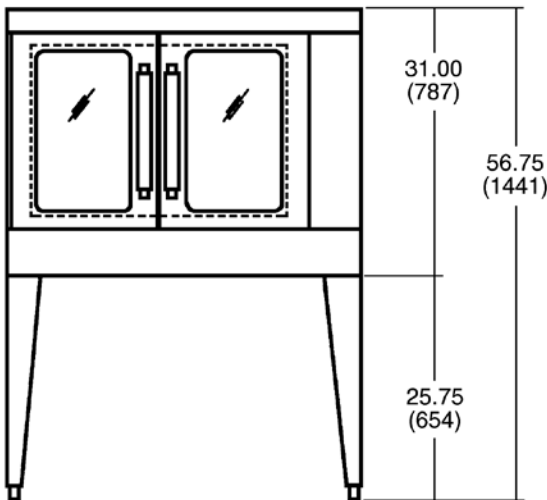
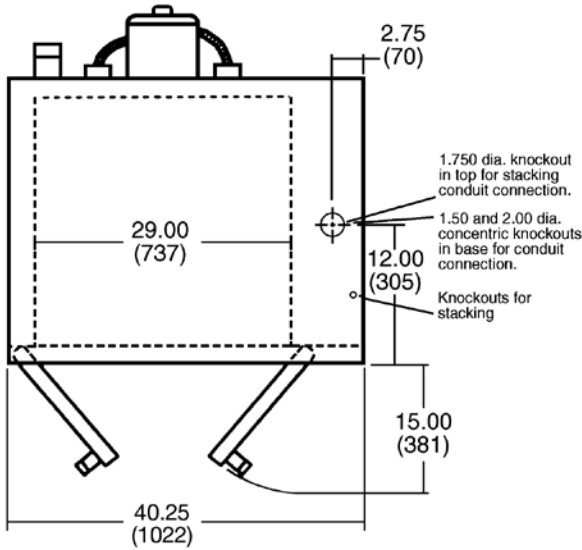
VC6E SERIES
SINGLE DECK, DEEP DEPTH
ELECTRIC CONVECTION OVENS

OPTIONAL VOLTAGES

- 480 volt, 60 Hz, 3 phase.
- 220/380 volt, 50 Hz, 1 phase, 3 wire.
- 220/380 volt, 50 Hz, 3 phase, 4 wire.
- 240/415 volt, 50 Hz, 3 phase, 4 wire.

CLEARANCES

| | Combustible | Non-Combustible |
|------------|-------------|-----------------|
| Rear | 2" | 2" |
| Right Side | 4" | 4" |
| Left Side | 1" | 1" |



| MODEL NO. | TOTAL CONN. KW | 3 PHASE LOAD KW PER PHASE | | NOMINAL AMPS PER LINE WIRE | | | | | | | | | | | | WEIGHT | | | | | |
|-------------|----------------|---------------------------|---|----------------------------|----|----|----------|----|----|----------|----|----|------|------|------|---------|------|-----------------------|-----|--------------------------|--|
| | | | | 3 PHASE | | | | | | | | | | | | 1 PHASE | | WITH SKID & PACKAGING | | WITHOUT SKID & PACKAGING | |
| | | | | 208 VOLT | | | 240 VOLT | | | 480 VOLT | | | | | | | | | | | |
| | | | | X | Y | Z | X | Y | Z | X | Y | Z | 208V | 240V | LBS. | KG | LBS. | KG | | | |
| VC6E | 12.5 | 4 | 4 | 4.5 | 35 | 33 | 35 | 33 | 29 | 33 | 14 | 15 | 15 | 60 | 52 | 463 | 210 | 405 | 184 | | |



a division of ITW Food Equipment Group LLC

P.O. Box 696 ■ Louisville, KY 40201 ■ Toll-free: 1-800-814-2028 ■ Local: 502-778-2791 ■ Quote & Order Fax: 1-800-444-0602

NOTE: In line with its policy to continually improve its products, Vulcan reserves the right to change materials and specifications without notice.