

# VULCAN

Item # \_\_\_\_\_

C.S.I. Section 11420

## MODEL VEC4824 ELECTRIC CONVEYOR OVEN



Listed to UL 197 by ITS  
Classified to ANSI/NSF Standard 4 by ITS  
Certified for Canada



### SPECIFICATIONS:

84½" long electric conveyor pizza oven, Vulcan-Hart Model No. VEC4824. Stainless steel front, sides and top. 48" x 24" d baking chamber. 4½" product clearance. Stainless steel front access door permits front loading for shorter bake times. Stainless steel conveyor belt measures 84" x 24" w. Reversible belt drive with variable speed controls. Nine 5 KW open type heating elements, 45 KW total input. Electronic temperature controls with digital read-outs. High velocity precision targeted air flow for consistent, repeatable baking results. Removable stainless steel crumb trays and front access panel for ease of cleaning. 208 or 240 volt, 60 Hz, 1 or 3 phase power supply

### Exterior dimensions:

84½" l x 42" d x 48" h on 23" stainless steel legs.  
84½" l x 42" d x 42" h on 17" stainless steel legs.

**SPECIFY BELT ROTATION (L-R) (R-L).**

**SPECIFY LEGS.**

### STANDARD FEATURES

- Stainless steel front, sides and top.
- 48" x 24" d baking chamber. 4½" product clearance.
- Stainless steel conveyor belt measures 84" x 24" w.
- Reversible belt drive with variable speed controls.
- Nine 5 KW open type heating elements, 45 KW total input.
- Electronic temperature controls with digital read-outs.
- High velocity precision targeted air flow for consistent, repeatable baking results.
- Removable stainless steel crumb trays and front access panel for ease of cleaning.
- Stainless steel front access door permits front loading for short bake times.
- 208 or 240 volt, 60 Hz, 1 or 3 phase power supply
- One year limited parts and labor warranty.

### OPTIONS & ACCESSORIES

- 23" stainless steel legs with casters, two locking.
- 17" stainless steel legs with casters, two locking, for double stack oven.
- 12" stainless steel apron extension (specify left or right).
- 18" stainless steel apron extension (specify left or right).
- Second year extended limited parts and labor warranty.

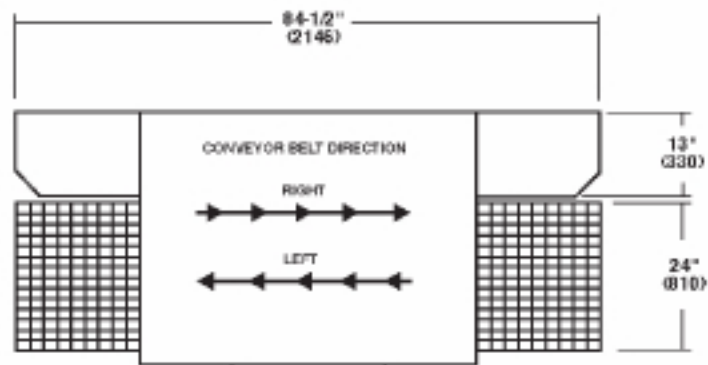
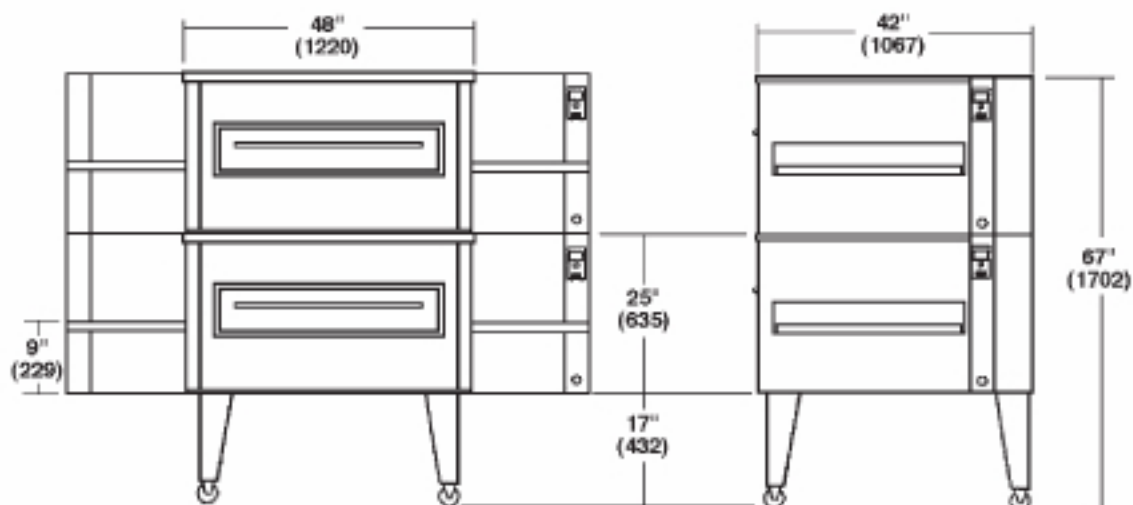
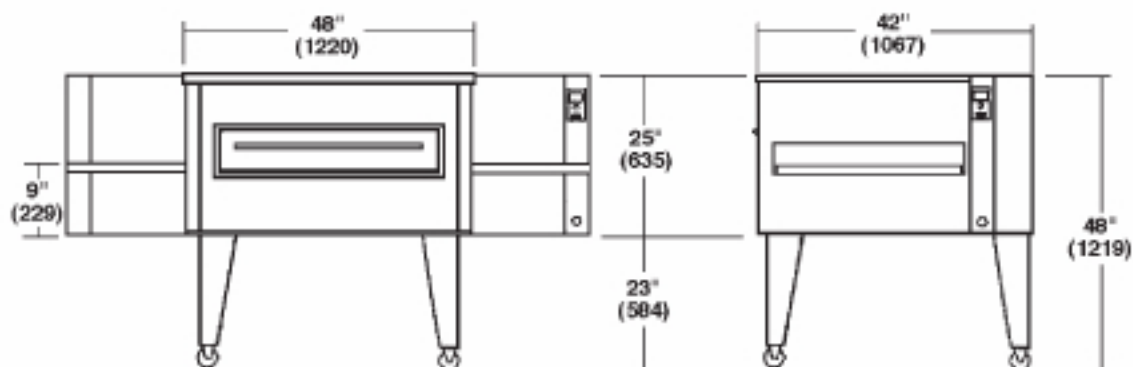


**Restaurant Equipment Worldwide**  
**Toll Free: 877.FOR.OVEN**  
**International: +1 859.885.1988**

# VULCAN



**MODEL: VEC4824 Electric Conveyor Oven**



Restaurant Equipment Worldwide  
Toll Free: 877.FOR.OVEN  
International: +1 859.885.1988

MODEL	EXTERIOR DIMENSIONS*	BELT DIMENSIONS	ELECTRICAL						APPROX. SHIP. WT.
			208V			240V			
			Ph	Amps	Hz	Ph	Amps	Hz	
VEC4824	84½"l x 42"d x 48"h	24"w x 84"l	1	216	60	1	188	60	1050 lbs. 227 kg
			3	125	60	3	108	60	

\* Single oven on 23" legs.

**NOTE:** In line with its policy to continually improve its products, Vulcan-Hart Company reserves the right to change materials and specifications without notice.