

Wood Stone



VASHON

Stone Hearth Oven



Job Name

Model

WS-IS-VA-CT

Item#

Wood Stone's Vashon Stone Hearth Countertop Oven opens up even more possibilities for using stone hearth cooking in your foodservice operation.

The Vashon is presented in a sealed chamber with a beautiful live flame. This electric oven with a gas display flame offers the simplicity of a standard oven with the visual and cooking advantages of a stone hearth oven.

The Vashon is engineered and designed to fit on compact countertop spaces and measures 30 inches wide, 32 inches tall and 27 inches deep. The ceramic cooking surface measures 19.5 inches wide and 14.5 inches deep and can be used to prepare fresh or frozen pizza, hot sandwiches, appetizers and more. The Vashon has a maximum operating temperature of 550 degrees Fahrenheit.

All of these features while incorporating the beautiful display of a live flame and the flavor profiles that can only be obtained with a stone hearth oven.

Hearth Capacity

8" pizzas	2
10" pizzas	2
12" pizzas	1
14" pizzas	1

FEATURES

- Live flame
- Compact size
- Cooks like a stone hearth oven
- Even cooking environment
- Rapid heat up time
- Programmable control panel
- Simple operation
- Ceramic floor construction
- Adjustable Leg Height
- Fully ETL Listed



Intertek
ANSI/UL 197
CSA 222
ANSI Z83.11b-2009
CSA 1.8b-2009



Intertek
ANSI/NSF STD 4

Wood Stone

An ongoing program of product improvement may require us to change specifications without notice.
Revised October 2011

WOOD STONE CORPORATION

1801 W. Bakerview Rd.
Bellingham, WA 98226 USA

Toll Free (800) 988-8103

Tel (360) 650-1111

Fax (360) 650-1166

info@woodstone-corp.com or visit woodstone-corp.com

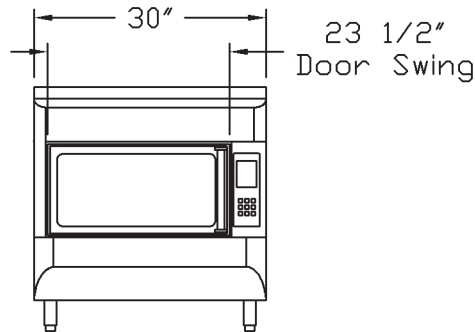


VASHON

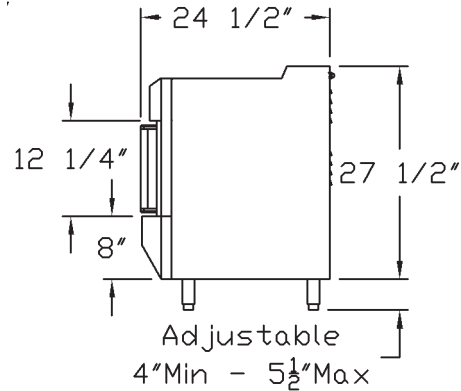
Stone Hearth Oven

Model
WS-IS-VA-CT

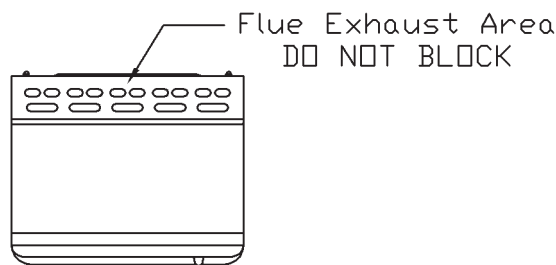
Front View



Side View

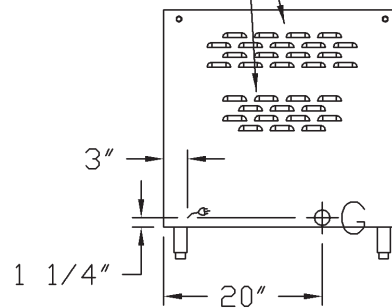


Top View



Air Intake Area
DO NOT BLOCK

Back View



UTILITIES SPECIFICATIONS

Gas-3/8 inch gas inlet (female threaded)
Input Rating: 9,000 BTU/hr Natural Gas Supply
Manifold Pressure: 3.5 w.c.
Supply Pressure-
Nominal: 7.0" w.c.
Minimum: 4.5" w.c.
Maximum: 10.5" w.c.
OR
Propane-
Input Rating: 7,500 BTU/hr Propane (LP) Supply
Manifold Pressure: 10.0" w.c.

Supply Pressure-
Nominal: 11.0" w.c.
Minimum: 11.0" w.c.
Maximum: 13.0" w.c.

Electrical
Oven is configured to run on:
208-240 VAC, 40 amp, 50/60 Hz, 5.9 kW
A 2 wire with ground, single phase. A NEMA 6-50P range cord is provided with the oven. Connect to an individual branch circuit rated at 40 amps.

VENTING INFORMATION

This appliance is ETL listed to be installed without external ventilation. However, local codes may require that it be vented. Check with your local authorities regarding venting requirements in your area

CLEARANCES

0" side clearance
0" back clearance
18" top clearance

Unit Shipping Weight: 340 lbs.



Intertek
ANSI/UL 197
CSA 222
ANSI Z83.11b-2009
CSA 1.8b-2009



Intertek
ANSI/NSF STD 4



An ongoing program of product improvement may require us to change specifications without notice.
Revised October 2011

WOOD STONE CORPORATION
1801 W. Bakerview Rd.
Bellingham, WA 98226 USA

Toll Free (800) 988-8103
Tel (360) 650-1111
Fax (360) 650-1166

info@woodstone-corp.com or visit woodstone-corp.com