



Left-Handed Configuration shown.

HEARTH CAPACITY

8" pizzas:	74	16" pizzas:	19
10" pizzas:	54	18" pizzas:	12
12" pizzas:	35	5" bagels:	450-500/hr

Assuming 5-minute cook times, the approximate maximum hourly production capacity can be calculated by multiplying the above numbers by 12. Cook times will also vary depending on "style" of pizza. Note: The addition of a decorative flame will decrease space and impact overall cooking capacity.

GUIDE TO MODEL NUMBERS

	Underfloor IR Burner	Left Side Radiant Flame	Right Side Radiant Flame	Wood Optional	Wood Required	Natural Gas	Liquid Propane
WS-CS-90112-RFG-LLL-IR	X	3				NG	LP
WS-CS-90112-RFG-RRR-IR	X		3			NG	LP
WS-CS-90112-RFG-LL-IR	X	2				NG	LP
WS-CS-90112-RFG-RR-IR	X		2			NG	LP
WS-CS-90112-RFG-LL-IR-W	X	2		X		NG	LP
WS-CS-90112-RFG-RR-IR-W	X		2	X		NG	LP
WS-CS-90112-W-IR	X				X	NG	LP
WS-CS-90112-W					X	NG	LP

BAGEL OVEN FIRE DECK 90112



Job Name	
Model	WS-CS-90112
Item#	

The Fire Deck 90112 oven features a door opening 57 inches wide x 10 inches high. The cooking area is 68 inches wide x 96 inches deep, resulting in a 45-square-foot cooking surface. A tensioned steel exoskeleton surrounding the hearth and dome perimeter ensures structural integrity and longevity. Wrapped in spun ceramic fiber insulation and requiring only 1-inch side clearance to combustibles, the monolithic 6-inch thick cast-ceramic hearth and monolithic 4-inch thick dome rest on a black painted steel stand. The oven body front, top, back and sides are finished with galvanized steel. The oven can be equipped with up to 3 radiant flame burners, typically 3 on the left or right side, as well as a thermostatically controlled underfloor IR burner.

The oven arrives completely assembled, ETL Listed, ready to install, and is made in the USA. A set of casters ship on the oven to assist with installation (remove once installed). Information about custom finishes, tools, and accessories can be found online at: woodstone-corp.com.

FUEL CONFIGURATIONS

GAS-FIRED ONLY: Configured to burn either natural gas (NG) or liquid propane (LP)*.

RADIANT FLAME + UNDERFLOOR IR (RFG-IR):

Heated by up to three adjustable radiant flame burners typically located on one side of the cooking chamber along with a thermostatically controlled infrared burner which is mounted under the oven deck to ensure high production capacity without heat recovery issues.

WOOD-FIRED (W): Wood-fired only.

WOOD WITH GAS ASSIST (W-IR): This wood-fired model is assisted by the additional BTU/hr of an Underfloor IR burner. NOTE: A wood fire is required with this configuration.

COMBINATION (-W): Allows optional wood burning for ovens with gas burner configurations.

*Gas type must be specified at time of order.



t. 360.650.1111
tf. 800.988.8103
f. 360.650.1166

Wood Stone Corporation
1801 W. Bakerview Rd.
Bellingham, WA 98226 USA
info@woodstone-corp.com
woodstone-corp.com

REVISED: WINTER 2014

An ongoing program of product improvement may require us to change specifications without notice.





BAGEL OVEN

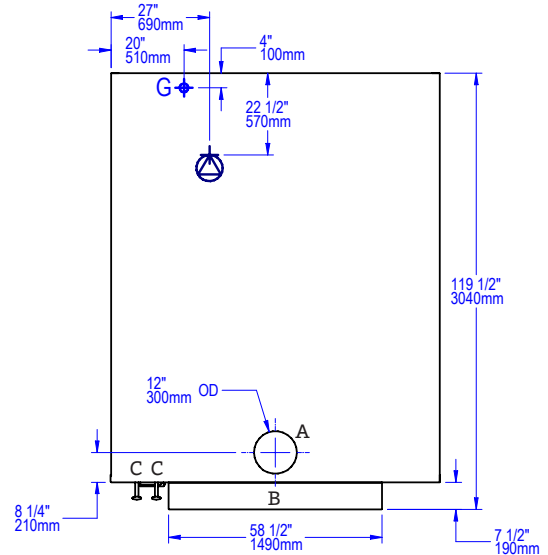
STONE HEARTH OVEN • WS-CS-90112

VERY IMPORTANT!!

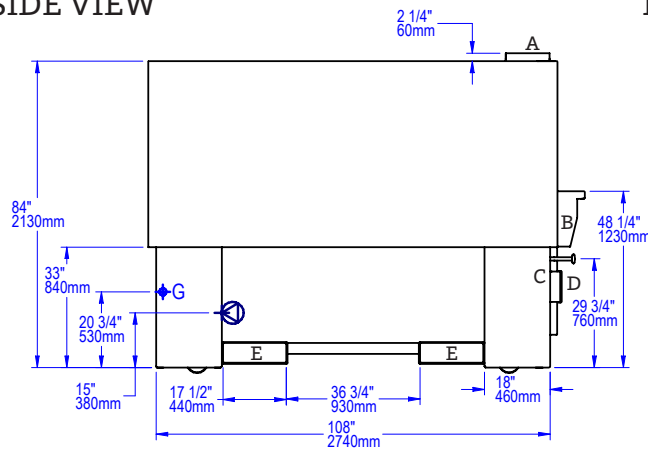
Oven is shipped with casters. Height with casters to the top of the flue collar is 87 3/4". Once the oven is in place the casters must be removed. Utility connections are made from underneath the oven. This view is showing a right-hand burner configuration. A left-hand burner configuration would mirror this location.

A	Flue Collar
B	Mantle
C	Flame Height Control Knob
D	Digital Controller
E	Forklift Pockets
	Electrical Connection
	Gas Connection
F	Service Panel or Optional Storage Box
	Must Be Left Removable for Service
	Do Not Facade or Cover Over

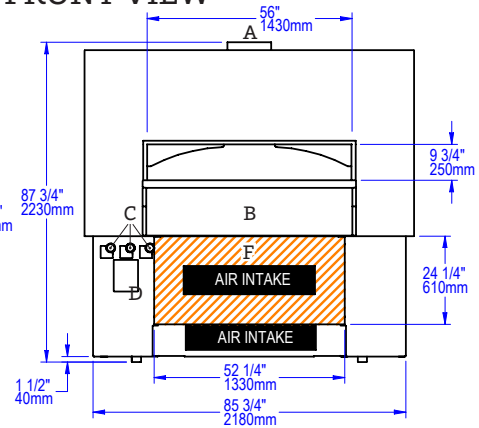
PLAN VIEW



SIDE VIEW



FRONT VIEW



UTILITIES SPECIFICATIONS

GAS
Gas-Fired Only and Combination
 1 inch gas inlet (FNPT)
 346,000 BTU/hr - Natural Gas (NG)
 OR
 298,000 BTU/hr - Propane (LP)

	BTU Output Per Burner	
Radiant Flame Burner	82,000 NG	71,000 LP
IR Burner	100,000 NG	85,000 LP
Decorative Flame Adds	15,000 NG	15,000 LP

ELECTRICAL
Gas-Fired Only and Combination
 120 VAC, 4 A, 50/60 Hz
 Connection made underneath oven.

VENTING INFORMATION

The WS-CS-90112 can be direct connected to a power-ventilated, grease-rated chimney or be vented using a Listed Type 1 exhaust hood, or a hood constructed and installed in accordance with NFPA 96 and all relevant local and national codes. The oven must be vented in accordance with all relevant local and national codes, and in a manner acceptable to the authority having jurisdiction.

Unit Shipping Weight: 11,500 lbs.

REVISED: WINTER 2014

An ongoing program of product improvement may require us to change specifications without notice.



t. 360.650.1111
 tf. 800.988.8103
 f. 360.650.1166

Wood Stone Corporation
 1801 W. Bakerview Rd.
 Bellingham, WA 98226 USA
info@woodstone-corp.com
woodstone-corp.com