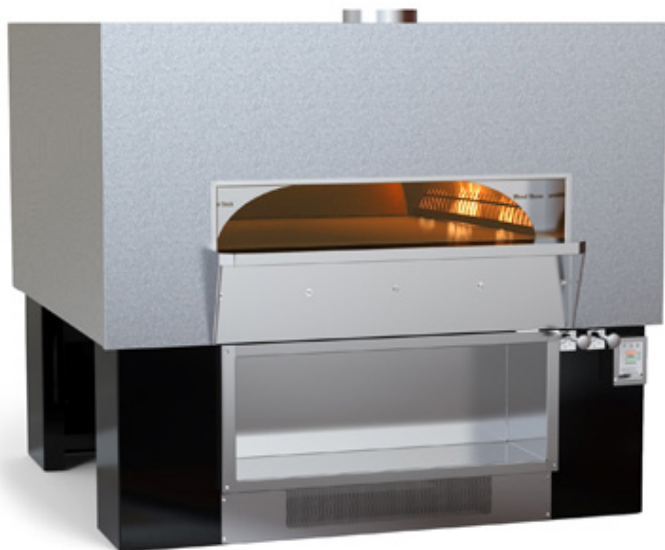


# Wood Stone



## FIRE DECK 9690

Stone Hearth Deck Oven



<b>Job Name</b>	
<b>Model</b>	WS-FD-9690
<b>Item#</b>	
<b>Fuel Type</b>	<b>Gas-Fired or Multi Fuel</b>

### Hearth Capacity

8" pizzas	60-70
10" pizzas	40-50
12" pizzas	25-30
16" pizzas	16-20
18" or 20" pizzas	9

Assuming 5-minute cook times, the approximate maximum hourly production capacity can be calculated by multiplying the above numbers by 12.

### OPTIONAL ACCESSORIES

- Decorative Flame
- Stainless Steel Oven Tool Set (with wall-mounting hangers)
- Stack-Mounted Exhaust Fan
- Custom Oven-Mounted Exhaust Hood
- Configured for Wood Burning (Wood burning models must be vented for solid fuel)
- Stainless Steel or Powder Coated Finishes Available for the Oven Enclosure
- Wood Stone also carries a full line of accessories for stone hearth cooking

The Fire Deck 9690 features a standard door opening 60 inches wide x 10 inches high. The stone hearth is 72 inches wide, and 76 inches deep, resulting in 38 square feet of usable deck space. The dense, high temperature ceramic formulation of which the hearth and dome are cast creates a "deep heat sink" within the chamber of the oven. The Fire Deck is available in a variety of burner and fuel configurations. The standard unit has a single wall of radiant flame (incorporating 2 independently adjustable radiant burners), as well as a thermostatically controlled gas infrared burner beneath the oven deck. Alternatively, any or all of the radiant burners can be omitted to accommodate the use of wood as a fuel source. The ovens are constructed so that future addition of any of the burners (previously omitted) is possible.

The 4,000-pound, monolithic, cast-ceramic floor sits on 4 inches of rigid insulation and is poured to a thickness of 6 inches. The 2,400-pound, monolithic dome is cast to a thickness of 4 inches. The hearth and dome are connected by a carefully tensioned steel exoskeleton, which ensures structural integrity and long life. The body of the oven rests on a 10-gauge steel pan welded to a heavy-duty frame. The oven is wrapped with at least 2 inches of spun ceramic fiber insulation and enclosed (front, top and sides) with 16-gauge galvanized steel. The oven arrives completely assembled on heavy-duty shipping casters and ready to roll into place.

The oven vents through a 12-inch O.D. flue collar located directly above the doorway. The Fire Deck 9690 can be direct connected to a power-ventilated, grease-rated chimney or it can be vented using a Listed Type 1 exhaust hood or one constructed and installed in accordance with NFPA 96 and all relevant local and national codes. This oven must be vented in accordance with all relevant local and national codes and in a manner acceptable to the authority having jurisdiction.

**IMPORTANT** - Ovens with model numbers containing a -W must be vented as a solid fuel appliance. The oven can be installed with only 1-inch side clearance to combustible construction.



An ongoing program of product improvement may require us to change specifications without notice.  
Revised Nov 2012

**WOOD STONE CORPORATION**  
1801 W. Bakerview Rd.  
Bellingham, WA 98226 USA

Toll Free (800) 988-8103  
Tel (360) 650-1111  
Fax (360) 650-1166

[info@woodstone-corp.com](mailto:info@woodstone-corp.com) or visit [www.woodstone-corp.com](http://www.woodstone-corp.com)

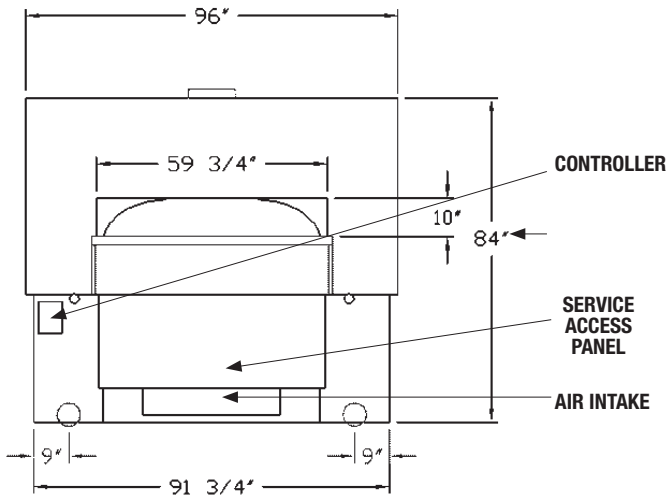


# FIRE DECK 9690

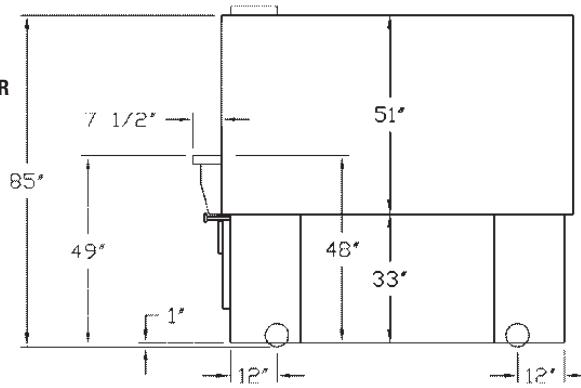
Stone Hearth Deck Oven

Model  
**WS-FD-9690**

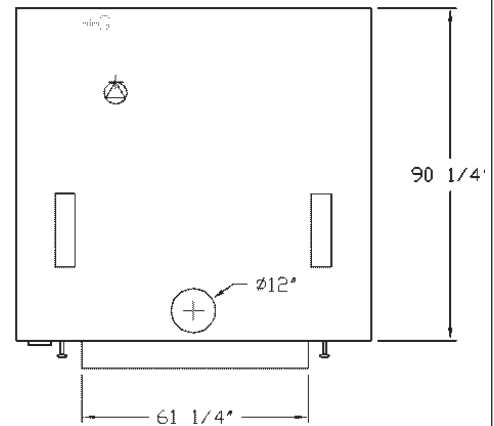
## Front View



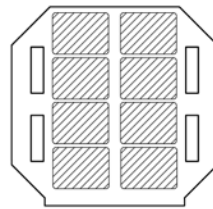
## Side View



## Top View



**NOTE: OVEN IS SHIPPED WITH CASTERS. HEIGHT WITH CASTERS IS 85". ONCE THE OVEN IS IN PLACE THE CASTERS MUST BE REMOVED.**



**GRAPHIC REPRESENTATION OF OVEN INTERIOR SHOWING POSSIBLE ARRANGEMENT OF FULL-SIZED SHEET PANS (18" X 26") AND THE FOUR POSSIBLE LOCATIONS FOR THE TWO RADIANT FLAME BURNERS.**

**IMPORTANT: UTILITY CONNECTIONS ARE MADE FROM UNDERNEATH THE OVEN; THIS VIEW IS SHOWN TO ILLUSTRATE GEOGRAPHIC LOCATION ONLY. SEE SIDE VIEW (ABOVE) FOR HEIGHT OF UTILITY CONNECTIONS.**

### Guide to Fire Deck Model #s

	Underfloor IR Burner	Left-side Flame Burner	Right-side Flame Burner	Wood Fire Optional	Wood Fire Mandatory	Natural Gas	Liquid Propane
WS-FD-9690-RFG-L/R-IR	1	1	1			NG	LP
WS-FD-9690-RFG-LL-IR	1	2		-W		NG	LP
WS-FD-9690-RFG-RR-IR	1		2	-W			
WS-FD-9690-RFG-L-IR	X	X		-W		NG	LP
WS-FD-9690-RFG-R-IR	X		X	-W		NG	LP
WS-FD-9690-W-IR	1				X	NG	LP

### UTILITIES REQUIRED

- 120 VAC/ 4 AMP electrical connection
- 347,000 BTU (max) Natural Gas supply OR 369,000 BTU (max) Propane (LP) supply  
*The oven's gas inlet is 1" N.P.T. Female*
- Decorative Flame Burner adds 15,000 BTU's

### VENTING INFORMATION

The Fire Deck 9690 can be direct connected to a power-ventilated, grease-rated chimney, or vented using a Listed Type 1 exhaust hood, or one constructed in accordance with NFPA 96 and all relevant local and national codes. This oven must be vented in accordance with all local and national codes and in a manner acceptable to the authority having jurisdiction.

**IMPORTANT** - Ovens with model numbers containing a -W must be vented as a solid fuel appliance.

BTU output per burner

	Natural Gas	Propane
Radiant (flame) Burner	125,000	142,000
IR Burner	97,000	85,000
Decorative Flame	15,000	15,000

**Unit Shipping Weight:  
10,000 lbs.**



An ongoing program of product improvement may require us to change specifications without notice.  
Revised Nov 2012

**WOOD STONE CORPORATION**  
1801 W. Bakerview Rd.  
Bellingham, WA 98226 USA

Toll Free (800) 988-8103  
Tel (360) 650-1111  
Fax (360) 650-1166

info@woodstone-corp.com or visit [www.woodstone-corp.com](http://www.woodstone-corp.com)