

# Wood Stone



## BISTRO 4355

Stone Hearth Oven



<b>Job Name</b>	
<b>Model</b>	WS-BL-4355
<b>Item#</b>	
<b>Fuel Type</b>	<b>Gas-Fired, Wood-Fired or Combination</b>

The Bistro 4355 features a standard door opening 24 inches wide x 7.5 inches high. The cooking surface is 34 inches wide, and 39 inches deep, resulting in 9.2 square feet of usable cooking surface.

The dense, high temperature ceramic formulation of which the 500-pound, monolithic, cast-ceramic floor and the 725-pound, monolithic dome are cast creates a “deep heat sink” within the chamber of the appliance. The hearth and dome are connected by a carefully tensioned steel exoskeleton, which ensures structural integrity and long life.

The front, sides and back of the appliance body are enclosed with stainless steel. The appliance sits on a heavy-duty, black stand which acts as a support frame. A stainless steel storage compartment is optional and can be provided in the support frame.

The ceramic interior is heated by a powerful, adjustable radiant burner located in the back of the appliance chamber. The burner is controlled exclusively by the chef. The heat distribution in the appliance can be adjusted to meet the needs of a variety of menu items. The Bistro can be configured to burn either Natural Gas or Propane - gas type must be specified at time of order.

The oven arrives crated and ready for installation. For ease of installation the oven can be disassembled to fit through 32” openings.

The Bistro vents through a 10-inch O.D. flue collar located above the doorway. The appliance can be direct connected to a power-ventilated, grease-rated chimney or can be vented with a Listed Type 1 exhaust hood, or one constructed in accordance with NFPA 96 and all local and national codes. The appliance must be vented in accordance with all local and national codes and in a manner acceptable to the authority having jurisdiction.

### Hearth Capacity

8" pizzas	9-12
10" pizzas	9
12" pizzas	6
16" pizzas	3-4

Assuming 5-minute cook times, the approximate maximum hourly production capacity can be calculated by multiplying the above numbers by 12.

### OPTIONAL ACCESSORIES

- Stainless Steel Oven Tool Set (with stainless steel hangers)
- Stack-Mounted Exhaust Fan
- Wood Stone also manufactures a full line of accessories for stone hearth cooking
- Configured for wood burning



Intertek  
ANSI Z83.11b-2009  
CSA 1.8b-2009



Intertek  
ANSI/NSF STD 4

## Wood Stone

An ongoing program of product improvement may require us to change specifications without notice.  
Revised October 2011

### WOOD STONE CORPORATION

1801 W. Bakerview Rd.  
Bellingham, WA 98226 USA

Toll Free (800) 988-8103

Tel (360) 650-1111

Fax (360) 650-1166

[info@woodstone-corp.com](mailto:info@woodstone-corp.com) or visit [woodstone-corp.com](http://woodstone-corp.com)

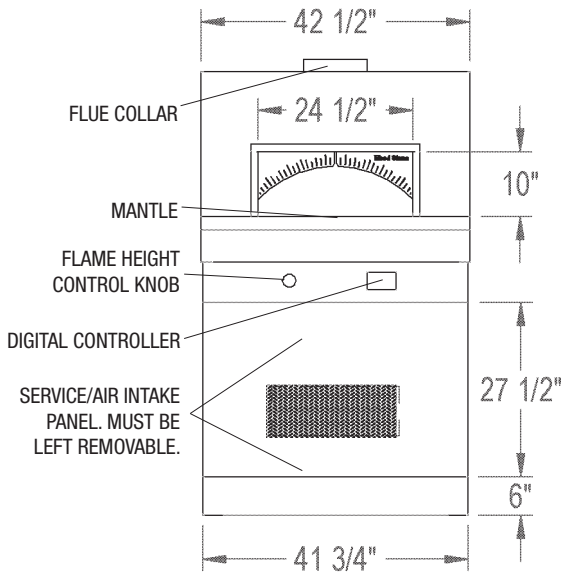


# BISTRO 4355

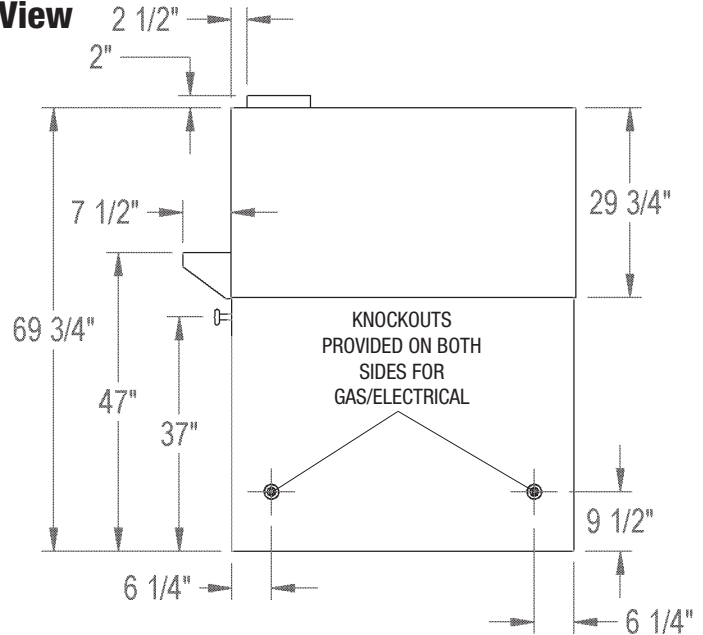
Stone Hearth Oven

Model  
WS-BL-4355

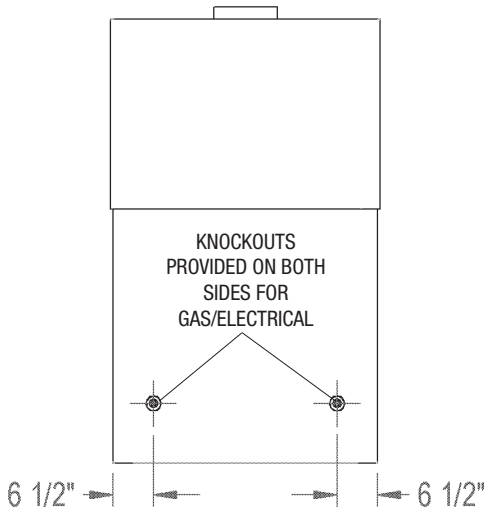
## Front View



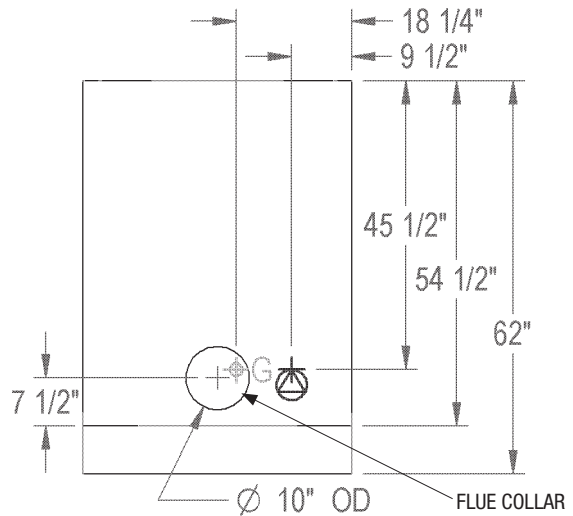
## Side View



## Rear View



## Top View



### UTILITIES SPECIFICATIONS

Gas-3/4 inch gas inlet (female threaded)  
80,500 BTU Natural Gas Supply OR  
68,000 BTU Propane (LP) Supply

**Unit Shipping Weight:  
2,500 lbs.**

### ELECTRICAL

120 VAC, 2 amp, 50/60 Hz  
All utility connections made on the back of the oven control box. Remove front or rear panel for access, use utility knockouts (provided) to route gas and electrical supplies.

### VENTING INFORMATION

Our gas ovens can be direct connected to a power-ventilated, grease-rated chimney or can be vented with a Listed Type 1 exhaust hood, or one constructed in accordance with NFPA 96 and all local and national codes. The oven must be vented in accordance with all local and national codes and in a manner acceptable to the authority having jurisdiction.



Intertek  
ANSI Z83.11b-2009  
CSA 1.8b-2009



Intertek  
ANSI/NSF STD 4

**Wood Stone**

An ongoing program of product improvement may require us to change specifications without notice.  
Revised October 2011

### WOOD STONE CORPORATION

1801 W. Bakerview Rd.  
Bellingham, WA 98226 USA

Toll Free (800) 988-8103

Tel (360) 650-1111

Fax (360) 650-1166

[info@woodstone-corp.com](mailto:info@woodstone-corp.com) or visit [woodstone-corp.com](http://woodstone-corp.com)