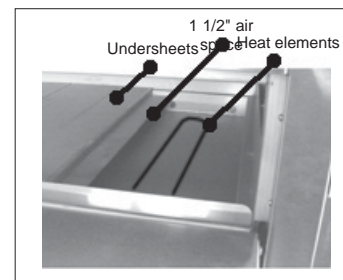
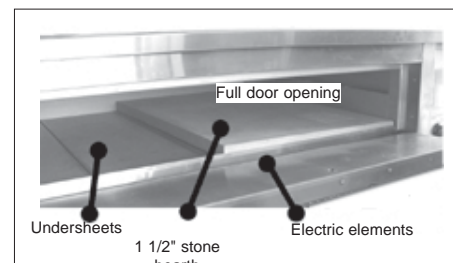


# ZESTO

## Electric Pizza and Bake Oven Model 1203



- \* ***Stainless Steel Top, Sides and Front.***
- \* ***Long life super efficient tubular elements.***
- \* ***12",18", 24" or 30" legs 12ga. steel painted legs available. Must specify size when ordering oven.***
- \* ***Door opening full size of deck.***
- \* ***1 1/2" refractory stone hearth over metal undersheets (12ga. steel) with heating elements in 1 1/2" airspace for even heat distribution throughout oven cavity.***



### Options

- \* ***12",18", 24" or 30" stainless steel legs.***
- \* ***Center wire shelf.***
- \* ***Locking casters for legs.***
- \* ***Steam Injection: Interior S/S piping ready to receive external steam (by others).***
- \* ***Electronic temperature control.***

# Electric Pizza and Bake Oven

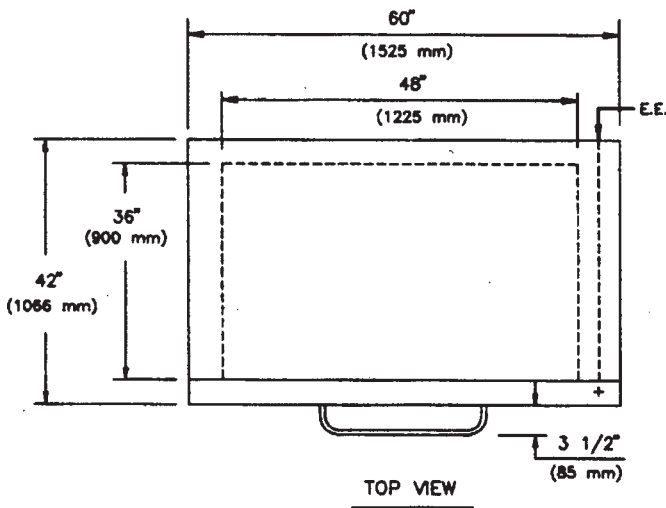
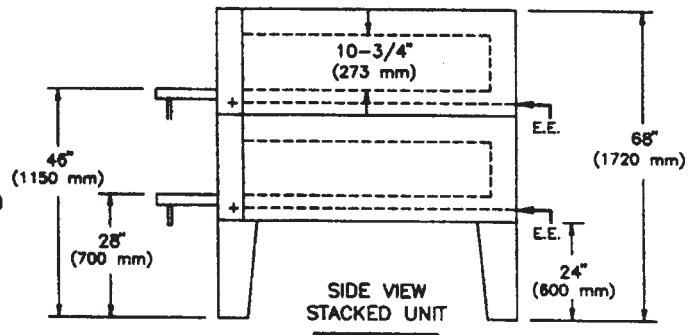
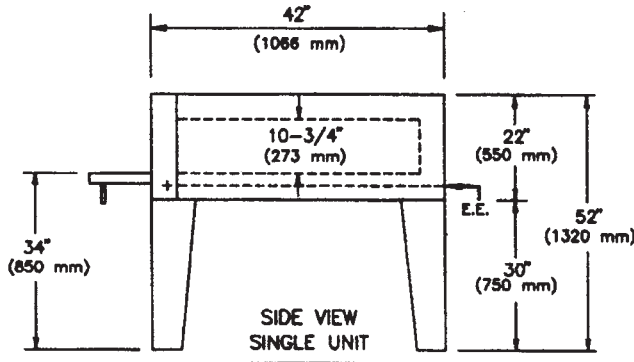
## Model 1203



Conforms to: ANSI / UL Std. 197  
Conforms to: CSA C22.2 Std. 109

Conforms to:  
Std. NSF-4

**Cooking surface**  
**48"(122cm) wide x 36"(91cm) deep**



- \* **Even heating throughout.**
- \* **Individual top and bottom heat controls allow any variation of baking requirements**
- \* **Ovens (double or triple) stack evenly with no wasted space between top and bottom units. Stacked units should be connected seperately.**
- \* **Units thermally insulated for cost effective operation.**

**Capacities**

**6 pies 16" (41cm)**

**12 pies 12" (30cm)**

**3 Bun pans 18"(46cm) x 26"(66cm)**

Model	Exterior Dimentions	Interior Dimentions	Electrical (Amperage)		Weight
1203	60" wide x 42" deep (1525mm x 1066mm)	48" wide x 36" deep (1225mm x 900mm)	208v /1 ph = 43.8 A 220v /1 ph = 46.4 A 240v /1 ph = 50.5 A	208v /3 ph = 25.3 A 220v /3 ph = 26.8 A 240v /3 ph = 29.2 A	731 lbs ( 332 kg )

Available in 50 or 60 cycles. Amperage could vary if input volts are not the same as indicated.

**ZESTO** FOOD EQUIPMENT MANUFACTURING INC.  
MANUFACTURIER D'EQUIPEMENT EN ALIMENTATION INC.

6450 HUTCHISON, MONTREAL, QC, CANADA H2V 4C8  
TEL(514)278-4621 FAX(514)278-4622  
e-mail info@zesto.ca www.zesto.ca

SPECIFICATIONS SUBJECT TO CHANGE WITHOUT NOTICE.

LES SPÉCIFICATIONS SONT SUJETS À CHANGEMENT SANS AVIS.