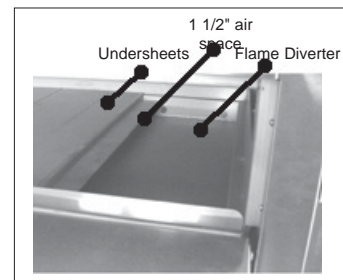
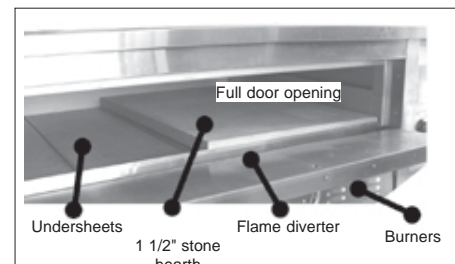


ZESTO

Gas Pizza and Bake Oven Model 209



- * ***Stainless Steel Top, Sides and Front.***
- * ***Long life super efficient stainless steel tubular burners.***
- * ***12", 18", 24" or 30" legs 12ga. steel painted legs available. Must specify size when ordering oven.***
- * ***Door opening full size of deck.***
- * ***1 1/2" refractory stone hearth over metal undersheets 12ga. steel with 1 1/2" airspace between burners and flame diverters for even heat throughout.***
- * ***Canopy or direct flue diverter available. Please specify when ordering oven.***



Options

- * ***12", 18", 24" or 30" stainless steel legs.***
- * ***Locking casters for legs.***
- * ***Center wire shelf***
- * ***Steam Injection: Interior S/S piping ready to receive external steam (by others).***

Gas Pizza and Bake Oven

Model 209

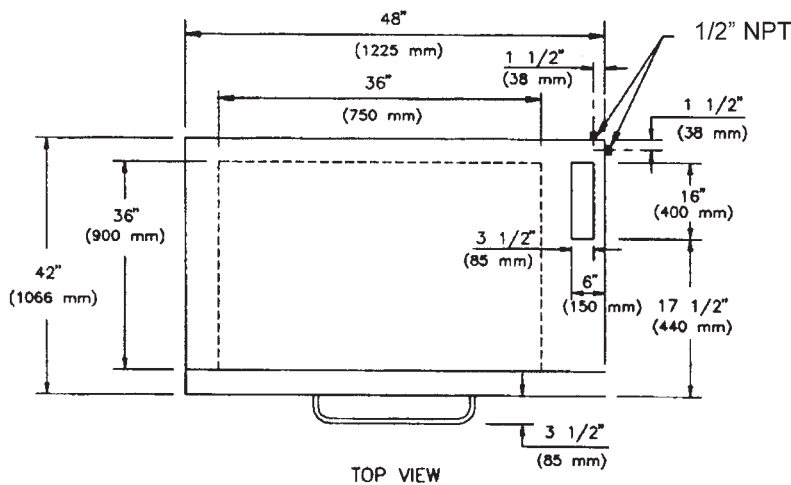
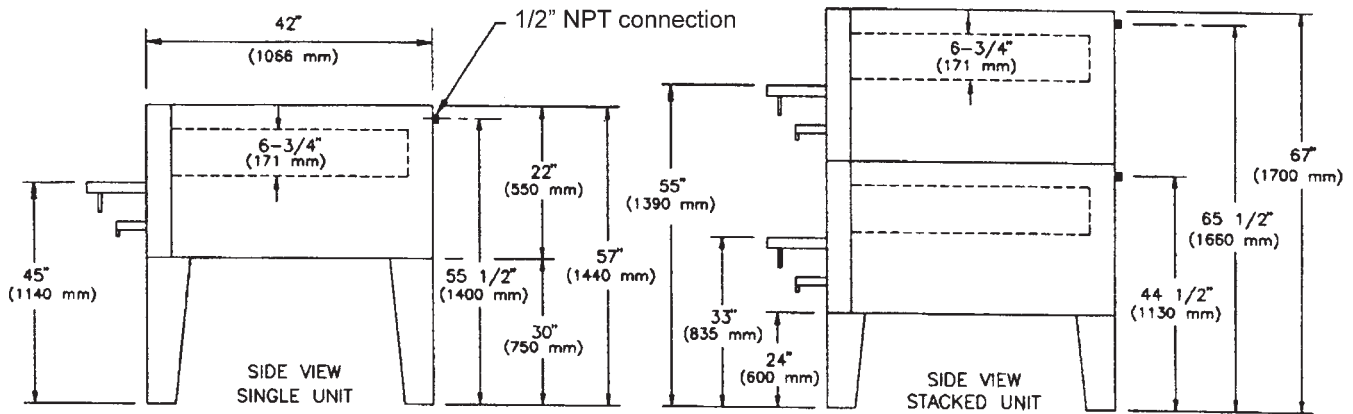


Conforms to: ANSI Std. Z83.11
Conforms to: CGA Std. 1.8



Conforms to:
Std. NSF-4

Cooking surface
36"(91cm) wide x 36"(91cm) deep



Gas Connection: Equipped with 1/2" NPT gas connection on side and rear.

Stacking: Ovens stack evenly with no wasted space between top and bottom units. Stacked units should be connected separately.

Ventilation: Proper ventilation is required.

* Canopy flue diverter for use when located under ventilation exhaust hood.

* Direct connect flue diverter for use with 10" flue pipe vented to exterior of building.

PLEASE SPECIFY WHEN ORDERING OVEN

Capacities

4 pies 16" (41cm) or 9 pies 12" (30cm)

2 Bun pans 18"(46cm) x 26"(66cm)

Model	Exterior Dimensions	Interior Dimensions	Burners	B.T.U.	Weight
209	48" wide X 42" deep 1225 mm X 1066 mm	36" wide X 36" deep 900 mm X 900 mm	3	62,000	608 lb 276 kg

Available in Natural or Propane Gas

ZESTO FOOD EQUIPMENT MANUFACTURING INC.
MANUFACTURIER D'EQUIPEMENT EN ALIMENTATION INC.

6450 HUTCHISON, MONTREAL, QC, CANADA H2V 4C8
TEL(514)278-4621 FAX(514)278-4622
e-mail info@zesto.ca www.zesto.ca

SPECIFICATIONS SUBJECT TO CHANGE WITHOUT NOTICE.

LES SPECIFICATIONS SONT SUJETS A CHANGEMENT SANS AVIS.