

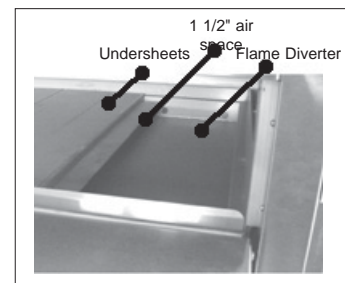
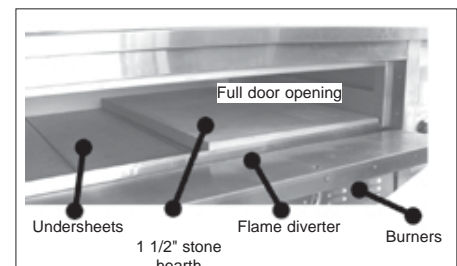
# ZESTO

## Gas Pizza and Bake Oven Model 209 SS

Space saver model only 36" (91cm) deep to fit kitchen lineup



- \* **Stainless Steel Top, Sides and Front.**
- \* **Long life super efficient stainless steel tubular burners.**
- \* **12", 18", 24" or 30" legs 12ga. steel painted legs available. Must specify size when ordering oven.**
- \* **Door opening full size of deck.**
- \* **1 1/2" refractory stone hearth over metal undersheets 12ga. steel with 1 1/2" airspace between burners and flame diverters for even heat throughout.**
- \* **Canopy or direct flue diverter available. Please specify when ordering oven.**



### Options

- \* **12", 18", 24" or 30" stainless steel legs.**
- \* **Center wire shelf**
- \* **Locking casters for legs.**
- \* **Steam Injection: Interior S/S piping ready to receive external steam (by others).**

# Gas Pizza and Bake Oven

## Model 209 SS



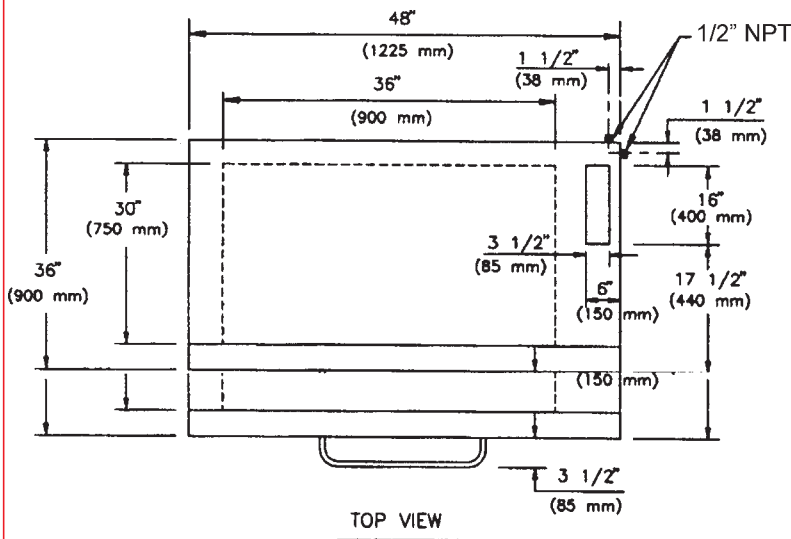
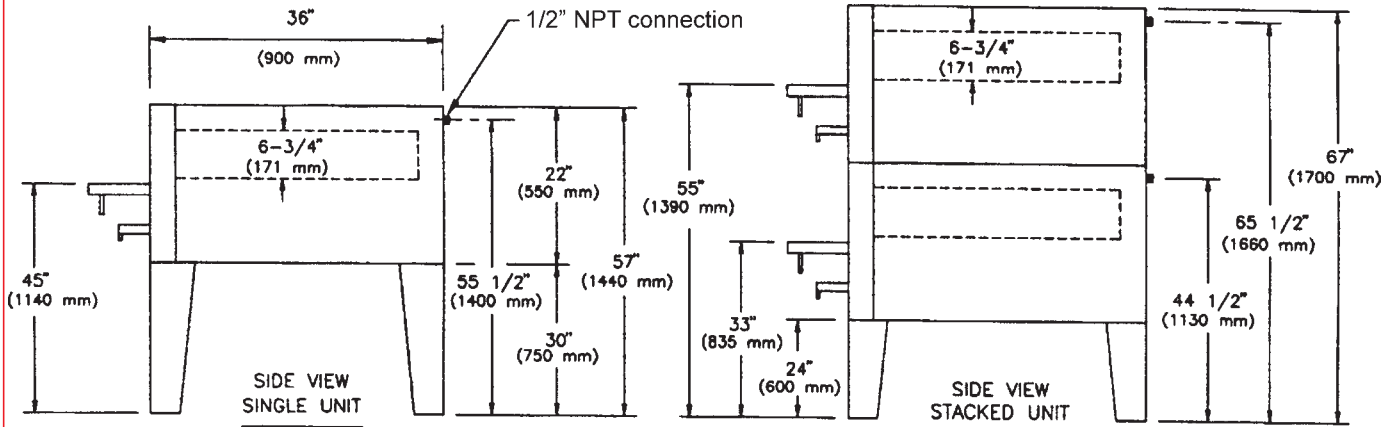
Conforms to: ANSI Std. Z83.11  
Conforms to: CGA Std. 1.8



Conforms to:  
Std. NSF-4

***Space saver model only 36" (91cm) deep to fit kitchen lineup***

**Cooking surface**  
**36" (91cm) wide x 30" (76cm) deep**



**Gas Connection:** Equipped with 1/2" NPT gas connection on side and rear.

**Stacking:** Ovens stack evenly with no wasted space between top and bottom units. Stacked units should be connected separately.

**Ventilation:** Proper ventilation is required.

\* Canopy flue diverter for use when located under ventilation exhaust hood.

\* Direct connect flue diverter for use with 10" flue pipe vented to exterior of building.

PLEASE SPECIFY WHEN ORDERING OVEN

Capacities

3 pies 16" (41cm) or 6 pies 12" (30cm)

2 Bun pans 18" (46cm) x 26" (66cm)

Model	Exterior Dimensions	Interior Dimensions	Burners	B.T.U.	Weight
209 SS	48" wide X 36" deep 1225 mm X 900 mm	36" wide X 30" deep 900 mm X 750mm	3	62,000	608 lbs (276kg)

*Available in Natural or Propane Gas*

**ZESTO** FOOD EQUIPMENT MANUFACTURING INC.  
MANUFACTURIER D'EQUIPEMENT EN ALIMENTATION INC.

6450 HUTCHISON, MONTREAL, QC, CANADA H2V 4C8  
TEL(514)278-4621 FAX(514)278-4622  
e-mail info@zesto.ca www.zesto.ca

SPECIFICATIONS SUBJECT TO CHANGE WITHOUT NOTICE.

LES SPÉCIFICATIONS SONT SUJETS À CHANGEMENT SANS AVIS.