

ZESTO

ELECTRIC COUNTER OVENS 800 / 802 SERIES

HEAVY DUTY COUNTER-TOP ELECTRIC BAKE/ROAST OR PIZZA OVEN



Interior Height
7 3/4" (196mm) per cavity

Ideal for :

- *Baking bread, rolls, croissants, cakes etc.
- *Fresh or par-baked dough for PIZZA or pan baking.
- *Roasting of chickens, pork, beef etc.



Features

SPACE SAVER MODEL 800 SERIES

Exterior Dimensions

- * 32"(812mm)wide x 27"(658mm)deep x 27 3/4" (705mm) high
- * Interior cooking area per cavity (2 cavities per oven)
21"(533mm) wide x 21"(533mm) deep x 7"(177mm) high
- * 4"(102mm) adjustable stainless steel legs.
- * Stainless steel front, top and sides.
- * Ovens are stackable.
- * Capacity: 4 Pizza Pans 10"(254mm) per cavity
- * Front mounted controls for easy access.
- * Each section has 2 thermostats (4 total) & on/off switch
- * Decks can be operated separately, saving energy during off-peak periods.
- * Thermally Insulated.
- * Available with 12 gauge steel deck or 3/8"(9.5mm) stone hearth for even transfer of heat.

EXTRA DEPTH MODEL 802 SERIES

Exterior Dimensions

- * 32"(812mm)wide x 33"(850mm)deep x 27 3/4" (705mm)high
- * Interior cooking area per cavity (2 cavities per oven)
21"(533mm) wide x 27"(685mm) deep x 7"(177mm) high
- * 4"(102mm) adjustable stainless steel legs.
- * Stainless steel front, top and sides.
- * Ovens are stackable.
- * Capacity: 4 Pizza Pans 10"(254mm) or one standard full size bun pan 18"(460mm) x 26"(660mm) per cavity
- * Front mounted controls for easy access.
- * Each section has 2 thermostats (4 total) & on/off switch
- * Decks can be operated separately, saving energy during off-peak periods.
- * Thermally Insulated.
- * Available with 12 gauge steel deck or 3/8"(9.5mm) stone hearth for even transfer of heat.

ELECTRIC COUNTER OVENS 800 / 802 SERIES



Conforms to: ANSI / UL Std. 197
Conforms to: CSA C22.2 Std. 109

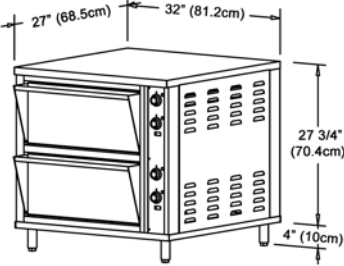
Conforms to:
Std. NSF-4

Single oven (two doors, two independent cavities)
Individual top & bottom thermostats for even cooking

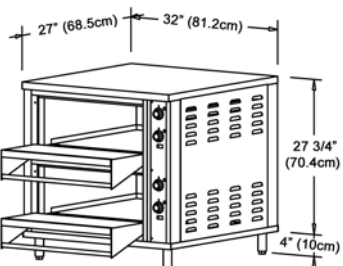
SPACESAVER MODEL

Exterior Dimensions 32"(812mm)w x 27"(658mm)d x 27 3/4" (705mm)h

800-1 Two Interior Decks 21"(533mm)w x 21"(533mm)d x 7 3/4"(196mm)h each. **7.2 KW**
Total Capacity: 8 PIZZA PANS 10"(254mm) ROUND



MODEL 800-1

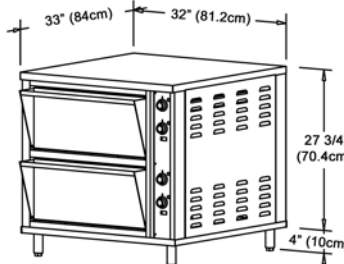


240v /1 phase 30 AMPS *** 208v /1 phase 35 AMPS *** 208v /3 phase 20 AMPS 295 lbs(134kg)

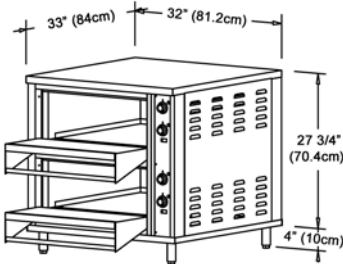
EXTRA DEPTH MODEL

Exterior Dimensions 32"(812mm)w x 33"(850mm)d x 27 3/4" (705mm)h

802-1 Two Interior Decks 21"(533mm)w x 27"(685mm)d x 7 3/4"(196mm)h each. **7.2 KW**
Total Capacity: 2 BUN PANS 18"(457mm) x 26"(660mm)

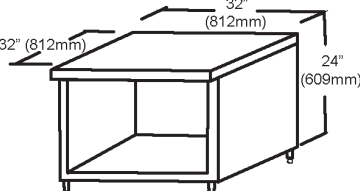


MODEL 802-1



240v /1 phase 30 AMPS *** 208v /1 phase 35 AMPS *** 208v /3 phase 20 AMPS 315 lbs(142kg)

Stands for ovens



S850	OPEN STAND FOR OVEN, Stainless steel top, painted steel body. Exterior Dimensions 32"w x 33"d x 24"h (812mm x 850mm x 609mm)	81 lbs (37kg)
S860	OPEN STAND FOR OVEN, Stainless steel top, painted steel body. Exterior Dimensions 32"w x 33"d x 30"h (812mm x 850mm x 762mm)	93 lbs (42kg)

ZESTO FOOD EQUIPMENT MANUFACTURING INC.
MANUFACTURIER D'EQUIPEMENT EN ALIMENTATION INC.
6450 HUTCHISON, MONTREAL, QC, CANADA H2V 4C8
TEL(514)278-4621 FAX(514)278-4622
e-mail info@zesto.ca www.zesto.ca