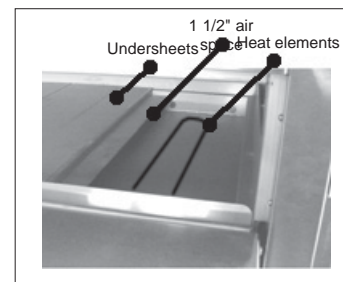
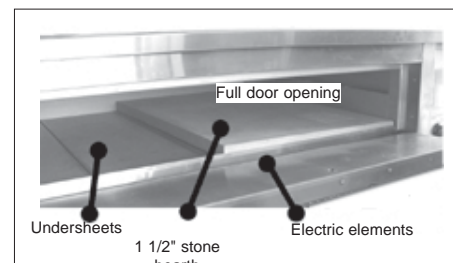


# ZESTO

## Electric Pizza and Bake Oven Model 903



- \* ***Stainless Steel Top, Sides and Front.***
- \* ***Long life super efficient tubular elements.***
- \* ***12", 18", 24" or 30" legs 12ga. steel painted legs available. Must specify size when ordering oven.***
- \* ***Door opening full size of deck.***
- \* ***1 1/2" refractory stone hearth over metal undersheets (12ga. steel) with heating elements in 1 1/2" airspace for even heat distribution throughout oven cavity.***



### Options

- \* ***12", 18", 24" or 30" stainless steel legs.***
- \* ***Center wire shelf.***
- \* ***Locking casters for legs.***
- \* ***Steam Injection: Interior S/S piping ready to receive external steam (by others).***
- \* ***Electronic temperature control.***

# Electric Pizza and Bake Oven

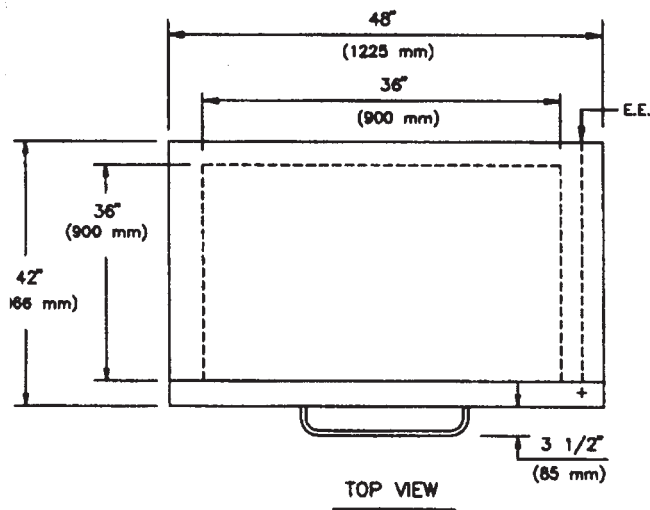
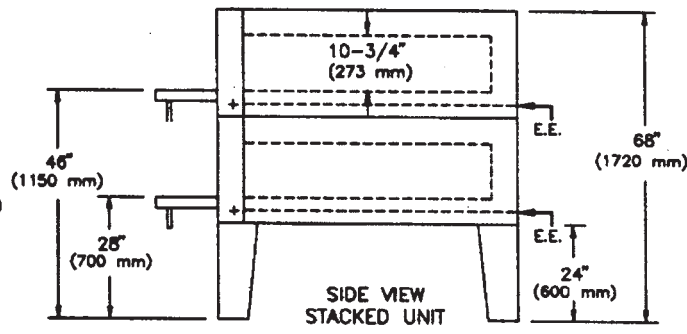
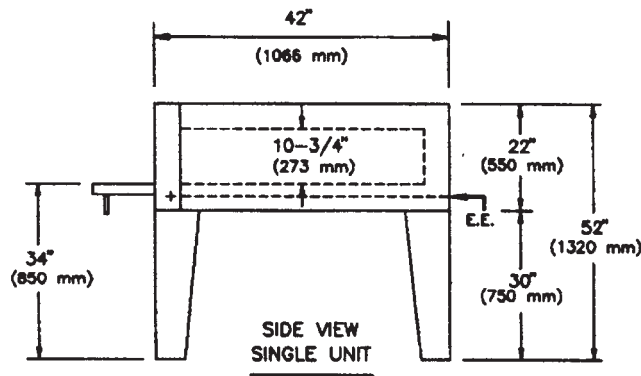
## Model 903



Conforms to: ANSI / UL Std. 197  
Conforms to: CSA C22.2 Std. 109

Conforms to:  
Std. NSF-4

**Cooking surface**  
**36"(91cm) wide x 36"(91cm) deep**



- \* **Even heating throughout.**
- \* **Individual top and bottom heat controls allow any variation of baking requirements**
- \* **Ovens (double or triple) stack evenly with no wasted space between top and bottom units. Stacked units should be connected seperately.**
- \* **Units thermally insulated for cost effective operation.**

**Capacities**

**4 pies 16" (41cm)**

**9 pies 12" (30cm)**

**2 Bun pans 18"(46cm) x 26"(66cm)**

| Model | Exterior Dimentions                     | Interior Dimentions                    | Electrical (Amperage)                                             |                                                               | Weight                |
|-------|-----------------------------------------|----------------------------------------|-------------------------------------------------------------------|---------------------------------------------------------------|-----------------------|
| 903   | 48" wide x 36" deep<br>(1255mm x 900mm) | 36" wide x 30" deep<br>(900mm x 750mm) | 208v /1 ph = 32.9 A<br>220v /1 ph = 34.8 A<br>240v /1 ph = 37.9 A | 208v /3 ph = 19 A<br>220v /3 ph = 20 A<br>240v /3 ph = 21.9 A | 646 lbs<br>( 293 kg ) |

Available in 50 or 60 cycles. Amperage could vary if input volts are not the same as indicated.

**ZESTO** FOOD EQUIPMENT MANUFACTURING INC.  
MANUFACTURIER D'EQUIPEMENT EN ALIMENTATION INC.

6450 HUTCHISON, MONTREAL, QC, CANADA H2V 4C8  
TEL(514)278-4621 FAX(514)278-4629  
e-mail info@zesto.ca www.zesto.ca

SPECIFICATIONS SUBJECT TO CHANGE WITHOUT NOTICE.

LES SPÉCIFICATIONS SONT SUJETS À CHANGEMENT SANS AVIS.