

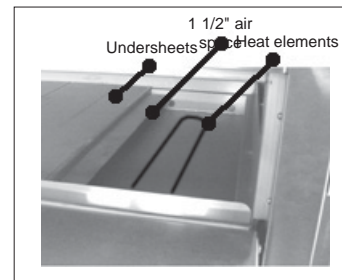
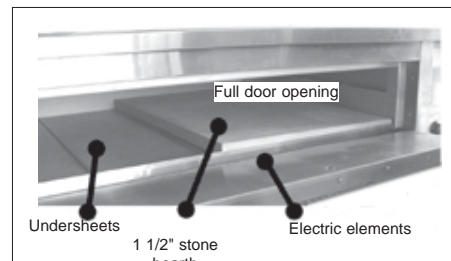
# ZESTO

## Electric Pizza and Bake Oven Model 903 SS

*Space saver model only 36"(91cm) deep to fit kitchen lineup*



- \* **Stainless Steel Top, Sides and Front.**
- \* **Long life super efficient tubular elements.**
- \* **12",18", 24" or 30" legs 12ga. steel painted legs available. Must specify size when ordering oven.**
- \* **Door opening full size of deck.**
- \* **1 1/2" refractory stone hearth over metal undersheets (12ga. steel) with heating elements in 1 1/2" airspace for even heat distribution throughout oven cavity.**



### Options

- \* **12",18", 24" or 30" stainless steel legs.**
- \* **Locking casters for legs.**
- \* **Electronic temperature control.**
- \* **Center wire shelf.**
- \* **Steam Injection: Interior S/S piping ready to receive external steam (by others).**

# Electric Pizza and Bake Oven

## Model 903 SS

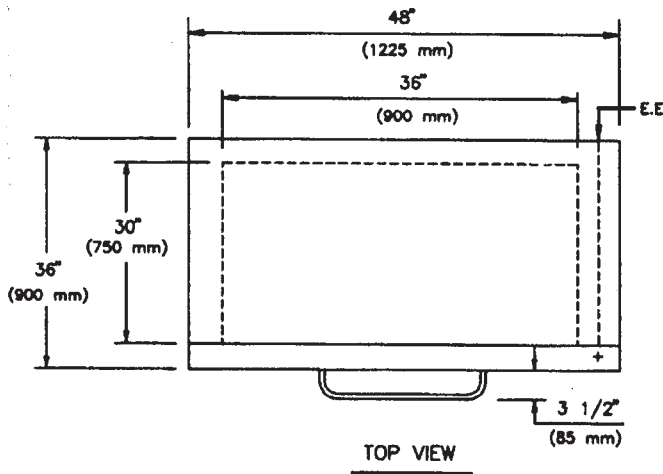
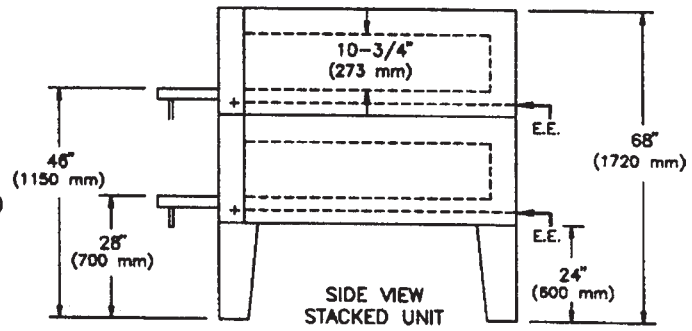
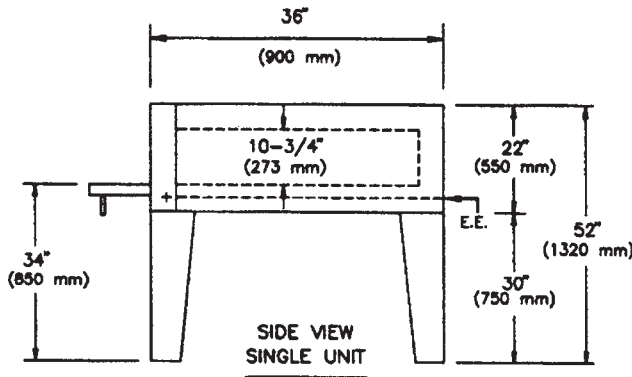


Conforms to: ANSI / UL Std. 197  
Conforms to: CSA C22.2 Std. 109

Conforms to:  
Std. NSF-4

***Space saver model only 36" (91cm) deep to fit kitchen lineup***

**Cooking surface  
36" (91cm) wide x 30" (76cm) deep**



- \* Even heating throughout.
- \* Individual top and bottom heat controls allow any variation of backing requirements
- \* Ovens (double or triple) stack evenly with no wasted space between top and bottom units. Stacked units should be connected separately.
- \* Units thermally insulated for cost effective operation.

**Capacities**

**3 pies 16" (41cm)**

**6 pies 12" (30cm)**

**2 Bun pans 18" (46cm) x 26" (66cm)**

Model	Exterior Dimentions	Interior Dimentions	Electrical (Amperage)		Weight
903 SS	48" wide x 42" deep (1255mm x 1066mm)	36" wide x 36" deep (900mm x 900mm)	208v /1 ph = 32.9 A 220v /1 ph = 34.8 A 240v /1 ph = 37.9 A	208v /3 ph = 19 A 220v /3 ph = 20 A 240v /3 ph = 21.9 A	616 lbs ( 279 kg )

Available in 50 or 60 cycles. Amperage could vary if input volts are not the same as indicated.

**ZESTO** FOOD EQUIPMENT MANUFACTURING INC.  
MANUFACTURIER D'EQUIPEMENT EN ALIMENTATION INC.

6450 HUTCHISON, MONTREAL, QC, CANADA H2V 4C8  
TEL(514)278-4621 FAX(514)278-4622  
e-mail info@zesto.ca www.zesto.ca

SPECIFICATIONS SUBJECT TO CHANGE WITHOUT NOTICE.

LES SPÉCIFICATIONS SONT SUJETS À CHANGEMENT SANS AVIS.